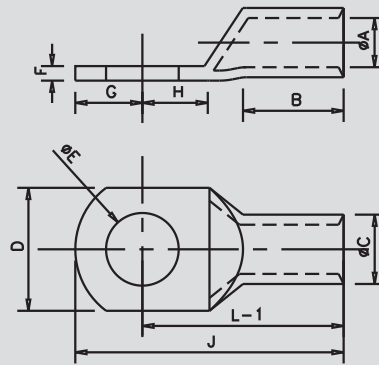


COPPER TUBULAR TERMINAL BS 4579

MATERIAL : COPPER BS 1977:1976

& IS 1897

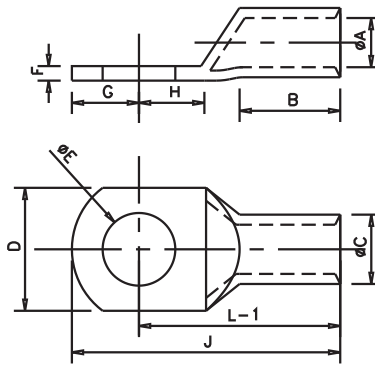
SURFACE: TIN PLATED



Size mm ²	E	A	C	D	F	B	G	H	L-1	J	MG CAT NO.	Crimping Tools Code
1.5	5.2	1.8	3.7	8	1	5	4	5	12	16	MGT 1.5-5	MG-10
1.5	6.5	1.8	3.7	10	0.8	5	5	5	13	18	MGT 1.5-6	MG-10
2.5	4.2	2.4	4	8	1	7	4	5	14	18	MGT 2.5-4	MG-10
2.5	5.2	2.4	4	10	0.8	7	5	6	15	20	MGT 2.5-5	MG-10
2.5	6.5	2.4	4	10	0.8	7	5	6	15	20	MGT 2.5-6	MG-10
4	5.2	3.1	4.8	10	1	7	5	6	15	20	MGT 4-5	MG-10
4	6.5	3.1	4.8	10	1	7	5	6	15	20	MGT 4-6	MG-10
6	5.2	3.8	5.5	10	1.2	9	5	6	18	23	MGT 6-5	MG-10
6	6.5	3.8	5.5	12	1	9	6	9	21	27	MGT 6-6	MG-10
6	8.4	3.8	5.5	12	1	9	6	9	21	27	MGT 6-8	MG-10
10	6.5	4.5	6.2	12	1.2	9	6	7	19	25	MGT 10-6	MG-10
10	8.4	4.5	6.2	12	1.2	9	6	9	21	27	MGT 10-8	MG-10
16	6.5	5.4	7.1	12	1.4	12	7	7	23	30	MGT 16-6	MG-50BS
16	8.4	5.4	7.1	12	1.4	12	7	9	25	32	MGT 16-8	MG-50BS
25	6.5	6.8	8.8	13	2	12	7	7	23	30	MGT 25-6	MG-50BS
25	8.4	6.8	8.8	18	1.4	12	10	11	27	37	MGT 25-8	MG-50BS
25	10.5	6.8	8.8	18	1.4	12	10	11	27	37	MGT 25-10	MG-50BS
35	6.5	8.2	10.6	15	2.4	12	9	9	26	35	MGT 35-6	MG-50BS
35	8.4	8.2	10.6	15	2.4	12	9	9	26	35	MGT 35-8	MG-50BS
35	10.5	8.2	10.6	18	2	12	10	11	28	38	MGT 35-10	MG-50BS
50	8.4	9.5	12.4	18	2.9	16	10	11	33	43	MGT 50-8	MG-50BS
50	10.5	9.5	12.4	18	2.9	16	10	11	33	43	MGT 50-10	MG-50BS
70	8.4	11.2	14.7	21	3.5	18	12	13	38	50	MGT 70-8	MG-120H
70	10.5	11.2	14.7	21	3.5	18	12	13	38	50	MGT 70-10	MG-120H
70	13	11.2	14.7	21	3.5	18	12	13	38	50	MGT 70-13	MG-120H
95	10.5	13.5	17.4	25	3.9	20	13	13	42	55	MGT 95-10	MG-120H
95	13	13.5	17.4	25	3.9	20	13	13	42	55	MGT 95-13	MG-120H
120	13	15	19.4	28	4.4	22	14	14	46	60	MGT 120-13	MG-120H
120	17	15	19.4	28	4.4	22	16	16	48	64	MGT 120-17	MG-120H

COPPER TUBULAR TERMINAL BS 4579

MATERIAL : COPPER BS 1977:1976
& IS 1897
SURFACE: TIN PLATED



Size mm ²	E	A	C	D	F	B	G	H	L-1	J	MG CAT NO.	Crimping Tools Code
150	13	16.5	21.2	30	4.7	26	16	16	53	69	MGT 150-13	MG-300H
150	17	16.5	21.2	30	4.7	26	16	16	53	69	MGT 150-17	MG-300H
185	17	18.5	23.5	34	5	32	17	17	61	78	MGT 185-17	MG-300H
240	17	21	26.5	38	5.5	38	20	20	72	92	MGT 240-17	MG-300H
240	21	21	26.5	38	5.5	38	20	20	72	92	MGT 240-21	MG-300H
300	17	23.5	30	43	6.5	42	22	22	79	101	MGT 300-17	MG-300H
300	21	23.5	30	43	6.5	42	22	22	79	101	MGT 300-21	MG-300H
400	17	26.8	34.8	50	8	44	26	26	88	114	MGT 400-17	MG-1000
400	21	26.8	34.8	50	8	44	26	26	88	114	MGT 400-21	MG-1000
500	17	30	39	56	9	48	28	28	96	124	MGT 500-17	MG-1000
630	20	35	45	65	10	56	33	33	111	144	MGT 630-21	MG-1000
800		39	50.6	73	11.6	78	35	35	135	170	MGT 800	MG-1000
1000		43	56.2	81	13.2	90	45	45	155	200	MGT 1000	MG-1000