

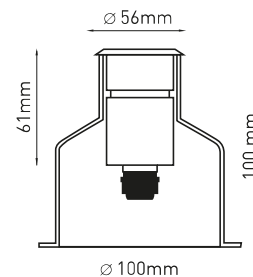
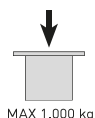


201002 HYDROFLOOR SMALL LED

Round ground-recessed luminaire for outdoor installation, stainless steel AISI316 body and frame, tempered safety glass, moulded silicone gasket. With 3 CREE LED. 24V DC remote driver needed. IP67 rating.

Energy Label A++

- Completely made in stainless steel AISI 316 body
- NR. 3 x 1W CREE "XP-G2" LED
- Silicone rubber gasket
- Tempered safety glass.
- Polypropylene recessing box included.
- 1 mt. neoprene power cable included



	LIGHT SOURCE	LED COLOR*	LIGHT BEAM OPTIONS	LUMEN OUTPUT (lm)	LUMINOUS EFFICACY (lm/w)	COLORS OPTIONS
3 WATT 24V DC REMOTE DRIVER NEEDED IP67 0.60 KG UNIT GROSS WEIGHT	HIGH-POWER LED	3,000°K WARM-WHITE	25°	288	96.00	STAINLESS STEEL
		6,000°K COLD-WHITE	25°	300	100.00	

REMOTE DRIVER SELECTION

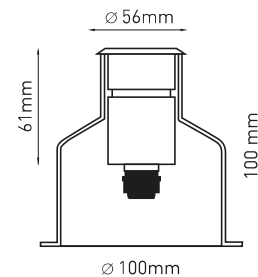
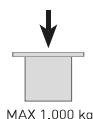
BRAND	MANUFACTURER CODE	TYPE	WATT	IP RATE	NUMBERS OF FIXTURES
TCI ITALY	122086	CONSTANT CURRENT 350 MA	4W	IP20	1
TCI ITALY	122204	CONSTANT CURRENT 350 MA / 500 MA	25W - 35W	IP20	MIN 1 - MAX 5
MEANWELL	LPV-20-24	CONSTANT VOLTAGE 24V DC	20W	IP67	MIN 1 - MAX 4
MEANWELL	LPV-35-24	CONSTANT VOLTAGE 24V DC	35W	IP67	MIN 1 - MAX 5
MEANWELL	LPV-60-24	CONSTANT VOLTAGE 24V DC	60W	IP67	MIN 1 - MAX 9
MEANWELL	LPV-100-24	CONSTANT VOLTAGE 24V DC	100W	IP67	MIN 1 - MAX 15

201061 HYDROFLOOR SMALL SOFT LED NEW

Round ground-recessed luminaire for outdoor installation, stainless steel AISI316 body and frame, tempered frosted safety glass diffuser, moulded silicone gasket. With 12 x SMD LED. Built-in LED driver 220-240V 50-60Hz. IP67 rating.

Energy Label A++

- Material: stainless steel AISI 316
- NR. 12 x SMD LED
- Frosted glass
- 1.5W – 220-240V 50-60Hz
- Silicone rubber gasket
- Tempered safety glass.
- 1 mt. neoprene power cable included



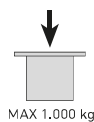
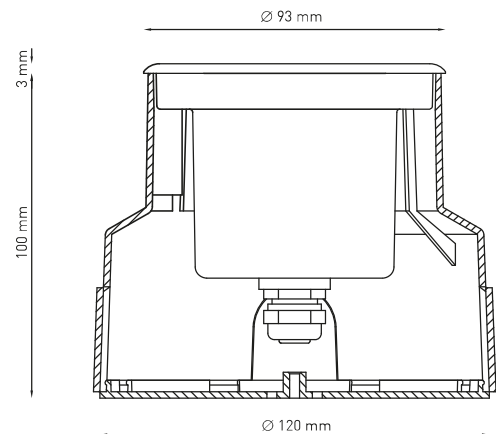
	LIGHT SOURCE	LED COLOR*	LIGHT BEAM OPTIONS	LUMEN OUTPUT (lm)	LUMINOUS EFFICACY (lm/w)	COLORS OPTIONS
1.5 WATT 220-240V 50-60HZ ELECTRONIC IP67 0.60 KG UNIT GROSS WEIGHT	SMD LED	3,000°K WARM-WHITE	80°	76	50.67	STAINLESS STEEL

201003 HYDROFLOOR MICRO PERFORMANCE LED

Round ground-recessed luminaire for outdoor installation, Phosphochromatised and polyester powder coated die-cast copper-free aluminium body and stainless steel AISI 304 frame, tempered safety glass, moulded silicone gasket. Built-in LED driver 220-240V 50-60Hz, with 1 CREE XP-G2 LED. IP67 rating.

Energy Label A++

- Material: high corrosion resistance die-cast copper-free aluminum body
- Coating: polyester powder coating with phosphochromating pre-finish
- Stainless steel AISI 304 ring.
- NR, 1 x 1W CREE "XP-G2" LED
- Electronic transformer 220/240V 50/60Hz included
- Stainless steel screws
- Silicone rubber gasket
- Tempered safety glass.
- Max static weight resistance 1.000 Kg
- Protection against impact IK09 (10 joule)
- Cable gland PG9
- Polypropilene recessing box included.
- 1 mt, neoprene power cable included



1 WATT
220-240V 50-60HZ ELECTRONIC
IP67
0.70 KG UNIT GROSS WEIGHT

LIGHT SOURCE	LED COLOR*	LIGHT BEAM OPTIONS	LUMEN OUTPUT (lm)	LUMINOUS EFFICACY (lm/w)	COLORS OPTIONS
HIGH-POWER LED	3.000°K WARM-WHITE	10°	115	115.00	STAINLESS STEEL
		30°	110	110.00	
		45°	104	104.00	
	6.000°K COLD-WHITE	10°	120	120.00	
		30°	114	114.00	
		45°	109	109.00	

* OTHER LIGHT COLORS AVAILABLE ON REQUEST: ○ 4.000°K NEUTRAL-WHITE, ● BLUE

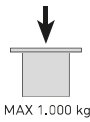
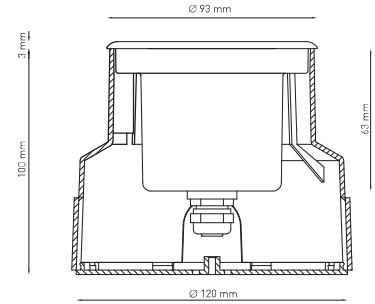


201005P HYDROFLOOR MICRO GU4



Round ground-recessed luminaire for outdoor installation, Phospho-chromatised and polyester powder coated die-cast copper-free aluminium body and stainless steel AISI 304 frame, tempered safety glass, moulded silicone gasket, G4 20W LED / halogen. IP67 rating.

- Material: high corrosion resistance die-cast copper-free aluminum body
- Coating: polyester powder coating with phosphochromating pre-finish
- Stainless steel AISI 304 ring.
- GU4 base, MAX 20W
- Stainless steel screws
- Silicone rubber gasket
- Tempered safety glass.
- Max static weight resistance 1.000 Kg
- Protection against impact IK09 (10 joule)
- Cable gland PG9
- Polypropilene recessing box included.
- 1 mt. neoprene power cable included

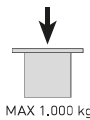
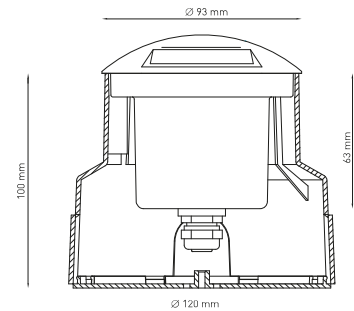


	LIGHT SOURCE	LIGHT COLOR	LIGHT BEAM OPTIONS	COLORS OPTIONS
20 WATT MAX 12V IP67 0.70 KG UNIT GROSS WEIGHT	 GU4 LED / HALOGEN	SEE BULB FEATURES	SEE BULB FEATURES	 STAINLESS STEEL

201006P HYDROFLOOR MICRO 01 GU4

Round ground-recessed luminaire for outdoor installation, Phospho-chromatised and polyester powder coated die-cast copper-free aluminium body and protective cover, tempered safety glass, moulded silicone gasket, G4 20W LED / halogen. IP67 rating

- Material: high corrosion resistance die-cast copper-free aluminum body
- Coating: polyester powder coating with phosphochromating pre-finish
- GU4 base, MAX 20W
- Stainless steel screws
- Silicone rubber gasket
- Tempered safety glass.
- Max static weight resistance 1,000 Kg
- Protection against impact IK09 (10 joule)
- Cable gland PG9
- Polypropilene recessing box included.
- 1 mt. neoprene power cable included



	LIGHT SOURCE	LIGHT COLOR	LIGHT BEAM OPTIONS	COLORS OPTIONS
20 WATT MAX 12V IP67 0.60 KG UNIT GROSS WEIGHT	 GU4 LED / HALOGEN	SEE BULB FEATURES		 TEXTURED-GREY