

# TFL™ VALVES CVW16

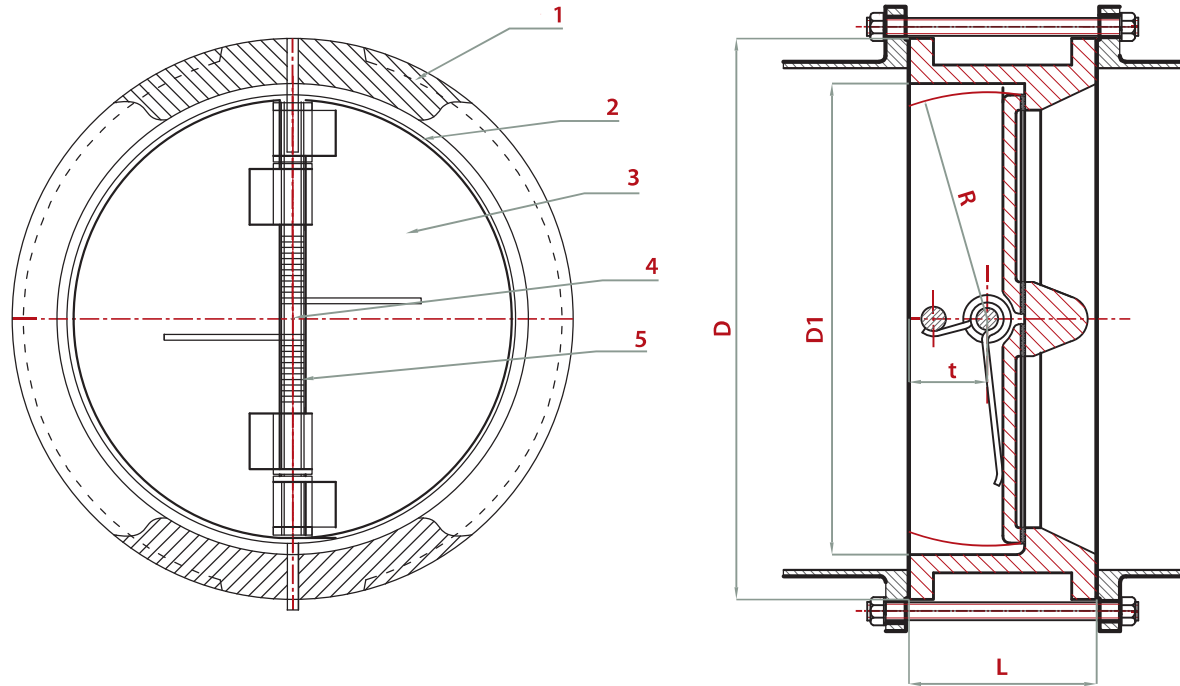
DUAL PLATE WAFER CHECK VALVE DN 65-400 PN16



## SPECIFICATION

For BS EN 1092-2 PN16 flange mounting  
Face to face dimension to conform to ISO 5752/ BS EN 558  
Fusion bonded epoxy coating  
Sizes range from 65 to 400

# CVW16 (DUAL PLATE WAFER CHECK VALVE DN 65-400 PN16)



DIMENSIONS					
Size mm	D mm	D1 mm	L mm	R mm	t mm
65	125	80	46	36	20
80	140	94	64	43	28
100	158	117	64	53	27
125	188	145	70	66	30
150	210	170	76	78	31
200	270	224	89	104	33
250	325	265	114	127	50
300	374	310	114	148	43
350	434	360	127	172	45
400	484	410	140	197	52

PRESSURE/ TEMPERATURE RATINGS	
Working Pressure	16 bar
Testing Pressure	Shell: 24 bar, Seat: 17.6 bar
Working Temperature	-10°C - 110°C
Suitable Media	Water, Oil & Gas
For gas applications, please consult Technoflow prior to use.	

MATERIAL			
No.	Part	Material	Annotation
1	Body	Cast Iron	1452 Gr. 220
2	Seat Ring	EPDM	EPDM
3	Disc	NP Ductile Iron	2789 Gr. 420/12
	Disc	Stainless Steel	SS 304
4	Shaft	Stainless Steel	304 S11
5	Spring	Stainless Steel	410 S21