

CABLE SURFACE TRUNKINGS

We also offer

Weather proof trunking • Lighting trunking • Raised floor trunking • Under floor Trunking

Flush floor trunking • Skirting trunking • Dado trunking • Bench trunking



Cable Trunking

Metallic Delta cable Trunking is a quick economical way of carrying electrical wires, telecommunication cables as well as computer cables. Trans Delta offers a variety of trunkings ranging from normal surface trunking to floor distribution system.

Delta cable trunking is made as per BS 4678 part-1. All the covers are fitted with quick turnbuckle for fixing the cover. This enables easy and quick way of fixing covers. All fittings have integral coupler and gusseted construction to allow smooth turning of wires. Where ever possible all fittings are made of state of art single piece construction.

Product specification

Material and Finish (See Page No : 6 for details)

- Pregalvanized steel or hot dip galvanized before fabrication (HDGBF) as per BS EN 10142
- Epoxy polyester Powder coated to any RAL colour,
- Aluminium Cable trunking.
- Stainless Steel cable trunking to AISI 304 and AISI 316L

Aluminium and Stainless Steel Trunking are available in Screw type lid with M4 Panhead screws.

Sizes available

Width x Depth in MM		
50×50	150×50	200×100
75×50	150×75	200×150
75×75	150×100	200×200
100×50	150×150	300×100
100×75	200×50	300×150
100×100	200×75	300×300

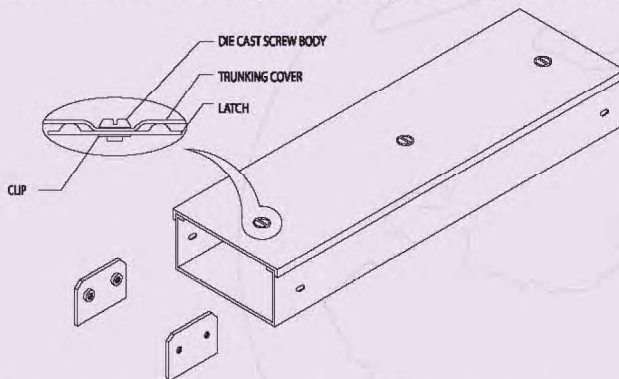
Length

3 mtr as standard. Other lengths are also available.

Type

Single or multi compartment Trunking.

Standard trunking with single compartment



Studded type Coupling holes on trunking fittings is available on request.

Supplied with cover, plate coupler in pairs and fastenings of M6x12mm roofing bolt, nut and washer.

Refer page No : 30 for multi compartment trunking

Customers who need any particular spangle design on galvanized sheet should mention it while ordering. Generally we use the current steel grade of Z 275 for pre galvanized trunking.

Cable Trunkings

Cable Capacities of standard Trunking

Trunking Size	Conductor size sq. mm											
	1.0	1.5	2.5	4.0	6.0	10.0	16.0	25.0	35.0	50.0	70.0	95.0
50 x 50	138	123	98	67	52	33	24	16	12	9	7	5
75 x 50	208	185	148	101	79	51	37	24	18	13	10	7
75 x 75	312	278	221	152	118	76	65	37	28	20	16	11
100 x 50	277	247	197	135	95	67	49	39	25	18	14	10
100 x 75	516	370	296	203	158	101	74	49	37	27	21	15
100 x 100	555	484	394	271	211	135	98	66	50	37	28	21
150 x 75	624	556	443	304	237	152	111	74	56	41	32	24
150 x 100	833	741	592	406	316	203	148	99	75	55	42	31
150 x 150	1250	1112	888	609	475	305	222	145	112	83	54	47

Cable Trunking

Material Gauges

Cabling Trunking STANDARD THICKNESS AS PER BS 4678		
Trunking Size mm	Min. Body Thickness	Min. Cover Thickness
50 x 50	1.0	1.0
75 x 50	1.2	1.2
75 x 75	1.2	1.2
100 x 50	1.2	1.2
100 x 75	1.2	1.2
100 x 100	1.2	1.2
150 x 50	1.2	1.2
150 x 75	1.2	1.2
150 x 100	1.2	1.2
150 x 150	1.4	1.2

Cabling Trunking STANDARD THICKNESS AS PER BS 4678		
Trunking Size mm	Min. Body Thickness	Min. Cover Thickness
200 x 100	1.6	1.4
225 x 50	1.6	1.4
225 x 75	1.6	1.4
225 x 100	1.6	1.4
225 x 150	1.6	1.4
225 x 225	1.6	1.4
300 x 50	1.6	1.6
300 x 75	1.6	1.6
300 x 100	1.6	1.6
300 x 150	1.6	1.6
300 x 300	2.0	1.6

Subject to the customer requirement other thickness can be manufactured on requests.

Trunking system complies with BS 4678 Part 1 for minimum thickness of body and cover.

For multi compartment trunking partitions normal thickness is 1.0mm

Commercial tolerance on Sheet thickness apply.

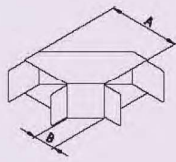
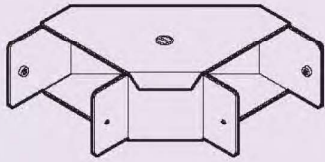
Contact Sales Desk for Various fitting thickness.

Cable Trunking Fittings

All fittings shown are gusset type construction

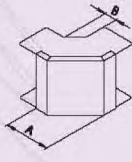
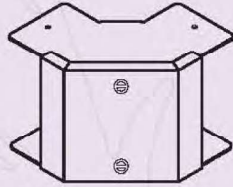
90° Bends

Cover on Top



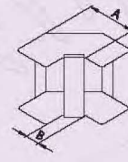
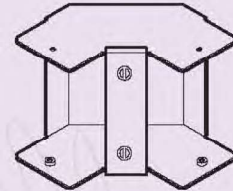
WIDTH	A	B
50	85	35
100	110	35
150	185	35
200	235	35
300	335	35

Cover on Outside



WIDTH	A	B
50	85	35
100	110	35
150	185	35
200	235	35
300	335	35

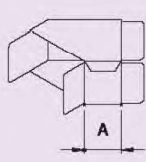
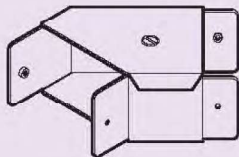
Cover on Inside



WIDTH	A	B
50	85	35
100	110	35
150	185	35
200	235	35
300	335	35

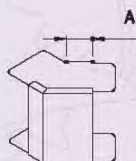
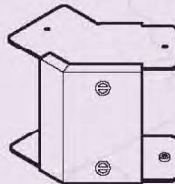
45° Bends

Cover on Top



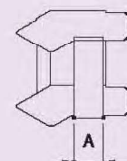
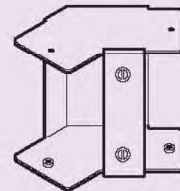
WIDTH	A
50	35
75	35
100	35
150	35
200	35
300	35

Cover on Outside



WIDTH	A
50	35
75	35
100	35
150	35
200	35
300	35

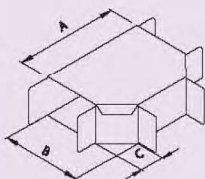
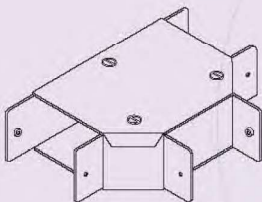
Cover on Inside



WIDTH	A
50	35
75	35
100	35
150	35
200	35
300	35

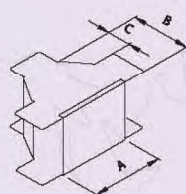
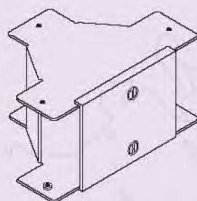
Tees

Cover on Top



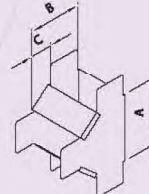
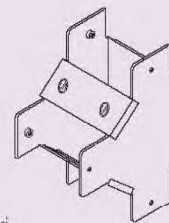
WIDTH	A	B	C
50	120	85	35
75	145	110	35
100	170	135	35
150	220	185	35
200	270	235	35
300	370	325	35

Cover on Outside



WIDTH	A	B	C
50	120	85	35
75	145	110	35
100	170	135	35
150	220	185	35
200	270	235	35
300	370	325	35

Cover on Inside



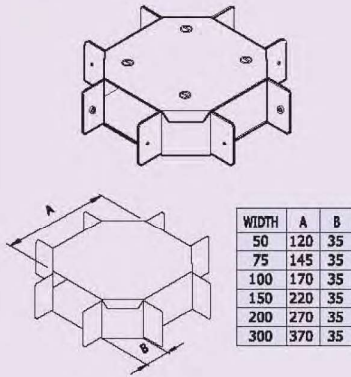
WIDTH	A	B	C
50	120	85	35
75	145	110	35
100	170	135	35
150	220	185	35
200	270	235	35
300	370	325	35

Note 1 Square type fittings are also available on request

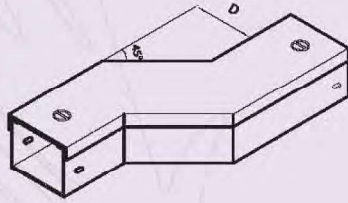
Note 2 Two 45° Bends can be connected to each other with a fitting Adaptor (Page No : 32) to get a big radius bend.

Cable Trunking fittings and Coupler details

Cross

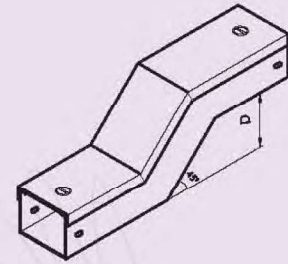


Horizontal Offset



D - Offset Distance

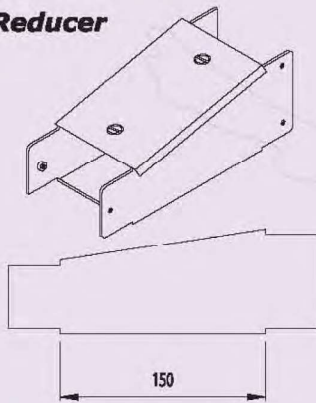
Vertical Offset



D - Offset Distance

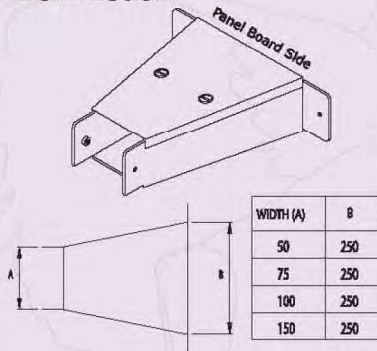
While ordering horizontal and vertical offset mention distance 'D' required. Two 45° bends can be connected together with a fitting adaptor (Page No: 32) to get an offset where offsetting distance is very less.

Reducer



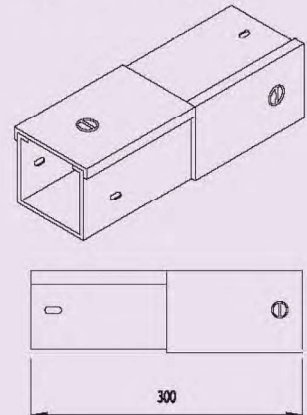
Always Mention Big Size First while ordering

Bell mouth

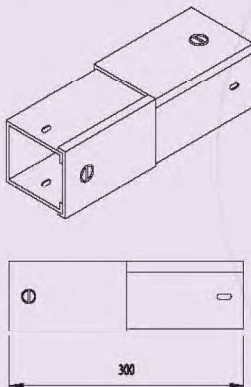


Used to connect Trunking to Panel Board. For narrow size panel board give details of B

Change face Right

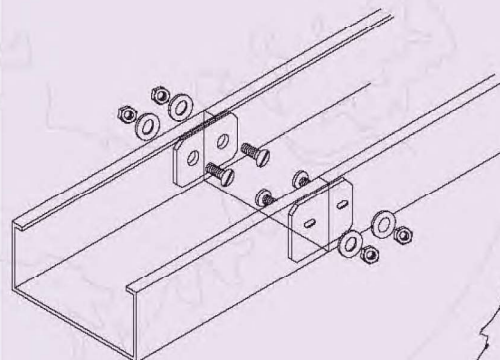


Change face Left



Note : Change face not available in Compartment Trunkings.

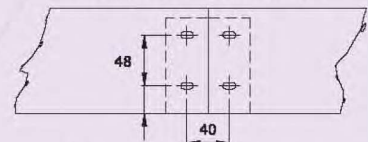
Coupler Details



50 mm height trunking joints with 4 Numbers of m6 x 12mm roofing bolt, nut and washer



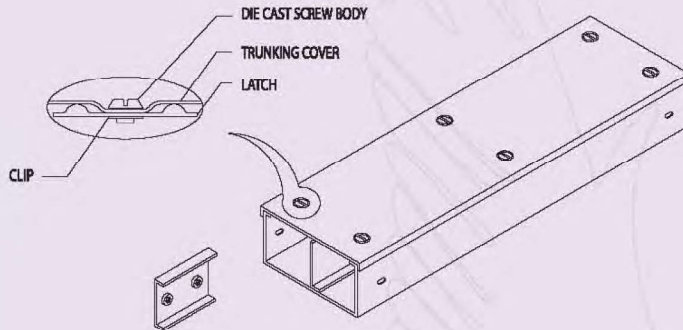
75 mm height trunking joints with 4 Numbers of m6 x 12mm roofing bolt, nut and washer



100 mm height trunking joints with 8 Numbers of m6 x 12mm roofing bolt, nut and washer

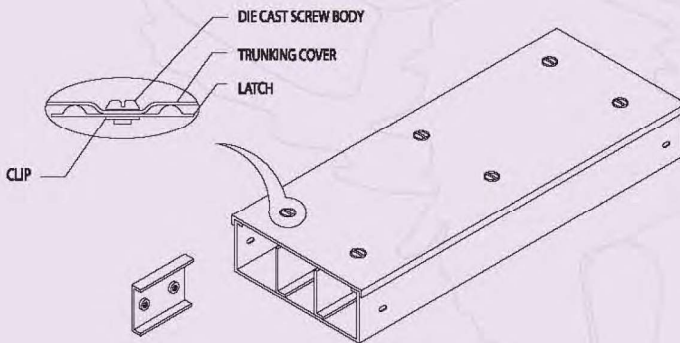
Standard Multi compartment Trunkings

- Available in 2 or 3 or 4 compartments.
- 100 mm Width trunking available only with 2 compartments.



Can be ordered with beading on divider strip. Divider thickness is 1mm.

For unequal compartment details of spacing is to be given while ordering.



Various Multi Compartment trunking fittings are available on request.

Flyovers are recommended for compartment trunking tee and cross fittings. But should keep in mind that cable carrying capacity is halved in flyovers. Contact sales desk for details.

Divider strips are spotted to body usually. Loose divider strips are also available for site fixing on special request. Contact sales desk for any special design.

New

Divider can be fixed through new metal locking system where a little unevenness of the surface is not a problem. This system is having less expose area.

Please specify the No. of Compartment in the Catalogue.

Example IPRTR / ☆ - 3SS64 - 3

No. of Compartments.

How to Order Straight Length & Fitting

Base Metal		Finish		Type	
Mild steel	1	Mild steel	P	Return edge Trunking	R
Aluminium	2	HDGBF	G		
S/Steel 316 L	3	HDGAF	G		
S/Steel 304	4	Stainless Steel	M		
		Aluminium			
		Normal finish	M		
Item		Thickness		Elements	
Trunking	TR	1.00 mm	1	Straight Length	SS
		1.20 mm	2	90° Bend	9H
		1.50 mm	3	Tee	HT
		2.00 mm	4	Unequal Tee	HUT
				Cross	HC
				Unequal Cross	HUC
				Horizontal Offset	HOF
				Vertical Offset	VOF
				Straight Reducer	RS
				Bell Mouth	BM
				Change face right	FR
Width		Depth		Length	
50	2	50	2	2.44 Meter	2
75	3	75	3		
100	4	100	4		
150	6	150	6		
200	8	200	8	3.0 Meter	3

Cable Trunking

Position of Cover	
T	Cover on Top
I	Cover on Inside
O	Cover on Outside

Epoxy finish if required

E (EPAG)

For Straight Length Trunking

Mention first 9 Columns Continuously and Epoxy finish if required.

Eg. of Straight Section Trunking 50 x 50mm

1PRTR - 2SS22 - 3 -E (If Required)

For Fittings

Mention first 4 Columns and then elements, width, depth and position of cover - Epoxy finish if required.

Eg. of Trunking Fittings for 50 x 50mm

1PRTR - 9H22 - T-E (If Required)

Note 1 : Please specify offset distance in inches within brackets at the end while ordering offsets.

Note 2 : In case of multi compartment trunking, Please mention the number of compartments after RTR in cat. No with "/" and the "number".
eg. 1PRTR / 3 - 2SS 64 - 3

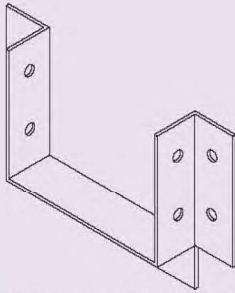
Note 3 : For elements other than 90° use 4H - 45°

Note 4 : For change face left - FL

Accessories for installation of cable Trunking

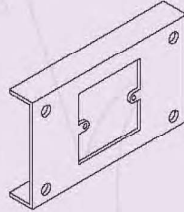
Cable Trunking

Wall Flange



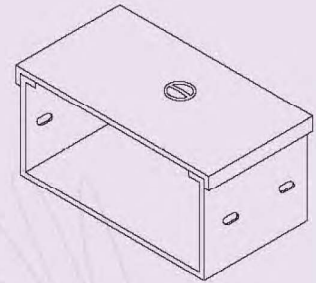
Uses where one end of the Trunking rests on the wall.

Socket Plate



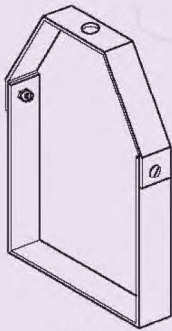
Specify the type of socket going to use

Fitting Adaptor

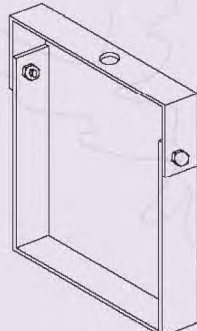


Connects two trunking fittings

Suspension Hanger



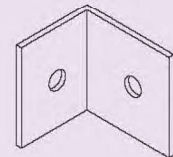
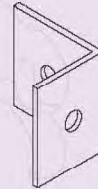
Type A



Type B

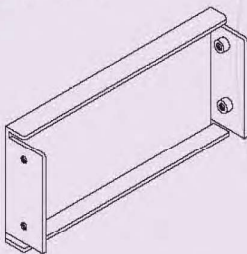
Maximum Dia of threaded rod can be used is 10mm.
Top and Bottom Pieces joined together with 2 sets of M6 x 12 mm Roofing Bolt, Nut and Washer.

Angle Connector



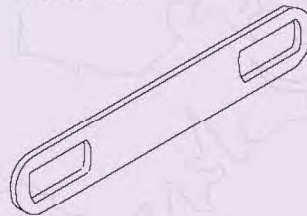
Supplied in pairs. Uses M6 x 12 mm size Roofing Bolt, Nut and Washer to connect to trunkings.

Blind End



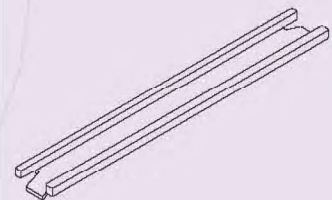
Mention Width and Height Trunking while order. Install where the routing of cable terminates.

Earth Continuity Connector



Available in Electro tinned finish with C to C distance of 35 mm.

Cable Retainer



Locks in the flange of trunking. Avoid the falling of cables during laying.

How to Order - Accessories

Product	Base Metal (1,2,3,4&5) Ref. Page 31	Finish (P,G,M)	Type	Item	Width (Ref. Page31)	Depth (Ref. Page31)	Abbreviation
Wall Flange	✓	✓	R	TR	✓	✓	WF
Socket Plate	✓	✓			✓	-	SP
Fitting Adaptor	✓	✓			✓	✓	FA
Suspension Hanger	✓	✓			✓	✓	SH
Angle Connector	✓	✓			-	✓	AC
Blind End	✓	✓			✓	✓	BE
Cable Retainer	✓	✓			✓	-	CR

Tick mark shows the relevant parameters against each products.

E.g of Accessories

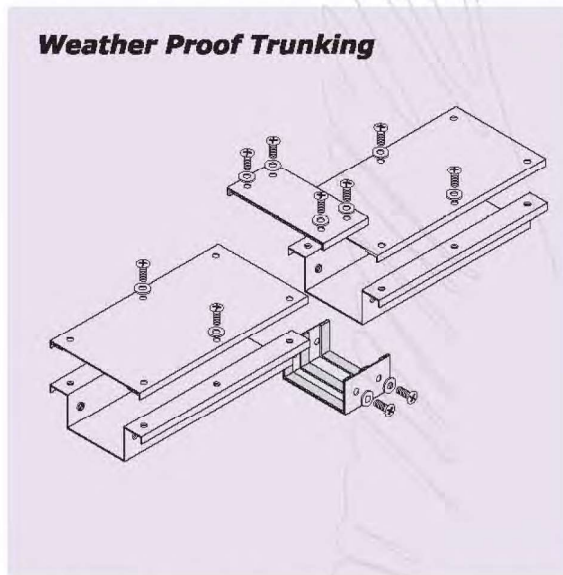
1PRTR - 22 - BE -E (If Required)

How to order Earth continuity connector

ECC - 50

Weather proof and Lighting Trunking

Weather proof trunking and fittings are available where dust and water should be avoided from getting into the system. This trunkings are fitted with gaskets and made with outward flange design enables a tight sealing.



Standard length : 3 Meter.

Standard Finish : Pregalvanized Steel
As per BS EN 10142

Supplied in : Screw type fixing cover

IP Rating : IP 54

For Ordering Weather proof Trunking add W P instead of T R in the coding of normal Trunking.
Various Weather Proof Trunking Fittings are available on request.

E.g of Straight Section

1PRWP - 1SS 44 - 3 -E (If Required)

INGRESS PROTECTION (IP) RATINGS :

IP Ratings consist of 2 or 3 numerals. Each individual numeral indicates a protection level against certain types of attacks. Each numeral is independent of the other. Consult the tables below for explanations of the significance of the 1st Numeral and the 2nd Numeral.

IP 20 Protected against penetration by solid matter with dimensions greater than 12mm dia. It is not protected against liquid penetration.

IP 23 Protected against penetration by solid matter with dimension greater than 12mm dia. Protected against rain.

IP 40 Protected against penetration by solid matter with dimension greater than 12mm dia. It is not Protected against liquid penetration.

IP 41 Protected against penetration by solid matter with dimension greater than 1mm dia. It is protected against transverse rain up to a maximum of 15 degree.

IP 43 Protected against penetration by solid matter with dimension greater than 1mm dia. Protected against rain.

IP 44 Protected against penetration by solid matter with dimension greater than 1mm dia. Protected against sprays of water.

IP 54 Protected against quantities of dust that could interface with satisfactory operation. Protected against sprays of water.

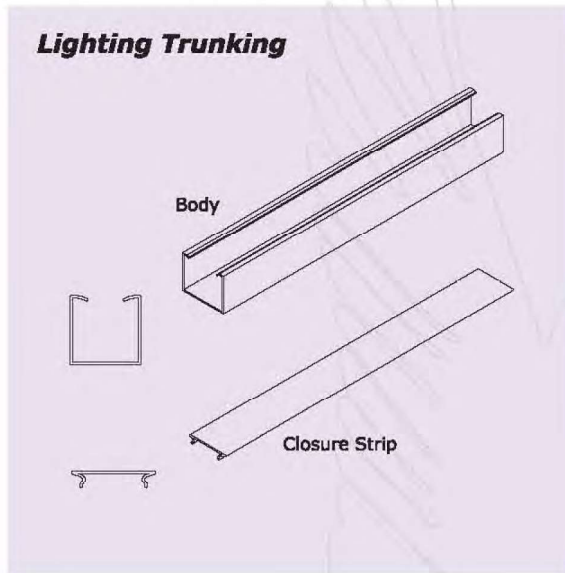
IP 65 Completely dustproof. Protected against jet of water.

IP 66 Completely dustproof. Protected against high pressure water jets.

IP 67 Completely dustproof. Protected against temporary immersion.

IP 68 Completely dustproof. Waterproof light fixtures for underwater lighting (Allowable depths given in meters)

Lighting Trunking



Standard length : 5 Meter.

Standard Finish : Pregalvanized Steel
As per BS EN 10142
: Epoxy Coated to any RAL Color

Standard Thickness : 1 mm for Body and Closure strip

Standard Size : 50 x 50 mm

For Ordering Lighting Trunking add L T instead of T R in the coding of normal Trunking.

Closure strip is available in GI and PVC finish, in 2 Meter length

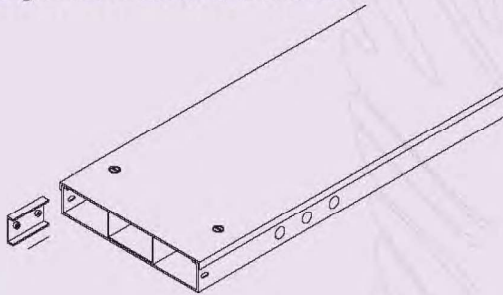
E.g of Straight Section

1PRLT - 1SS 22 - 5 -E (If Required)

Various Lighting Trunking Fittings are available on request.

Raised Floor / Cavity Floor Trunking

Raised floor Trunking gives a high degree of flexibility and uses where frequent design changes and maintenance comes.



Standard length: - 3 mtr.

Side Height:- 50 mm

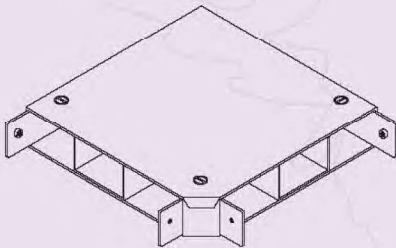
No. of compartments:- 2, 3 & 4

knockout position and size can be manufactured to the customer requirement.

Width	Height	Catalogue No.
100	50	RFT/*-100-50
150	50	RFT/*-150-50
200	50	RFT/*-200-50
300	50	RFT/*-300-50
450	50	RFT/*-450-50

*No of Compartment

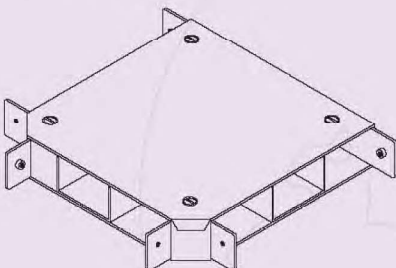
90° Horizontal Bend



Width	Height	Catalogue No.
100	50	RFT/*-9H 100-50
150	50	RFT/*-9H 150-50
200	50	RFT/*-9H 200-50
300	50	RFT/*-9H 300-50
450	50	RFT/*-9H 450-50

*No of Compartment

Horizontal Tee



Width	Height	Catalogue No.
100	50	RFT/*-HT 100-50
150	50	RFT/*-HT 150-50
200	50	RFT/*-HT 200-50
300	50	RFT/*-HT 300-50
450	50	RFT/*-HT 450-50

*No of Compartment

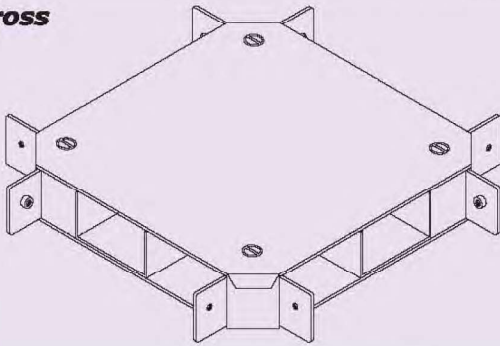
All Trunking and Components are manufactured from pre-galvanized sheet steel to BS EN 10142 in the following thickness.

100 to 200mm width - 1mm thick body and cover.

300 to 450mm width - 1.2mm thick body and 1mm cover.

Raised Floor / Cavity Floor Trunking

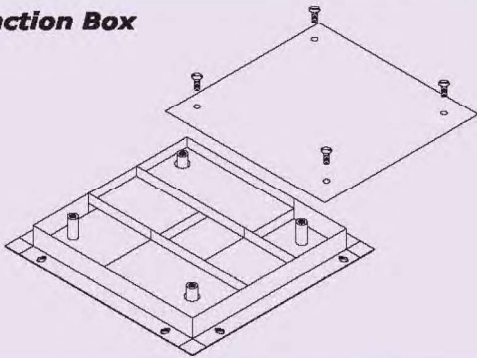
Cross



Width	Height	Catalogue No.
100	50	RFT/*-HC 100-50
150	50	RFT/*-HC 150-50
200	50	RFT/*-HC 200-50
300	50	RFT/*-HC 300-50
450	50	RFT/*-HC 450-50

*No of Compartment

Junction Box

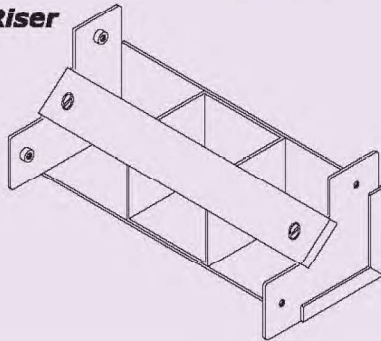


Width	Height	Catalogue No.
200	50	RFT/*-JB 200-50
300	50	RFT/*-JB 300-50
450	50	RFT/*-JB 450-50

*No of Compartment

A Junction Box can act as a bend, Tee and Cross with flyover system fixed inside.

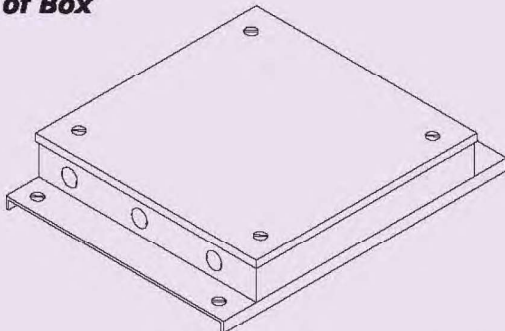
Inside Riser



Width	Height	Catalogue No.
100	50	RFT/*-9RI 100-50
150	50	RFT/*-9RI 150-50
200	50	RFT/*-9RI 200-50
300	50	RFT/*-9RI 300-50
450	50	RFT/*-9RI 450-50

*No of Compartment

Tap of Box



Width	Height	Catalogue No.
100	50	RFT/*-TB 100-50
150	50	RFT/*-TB 150-50
200	50	RFT/*-TB 200-50
300	50	RFT/*-TB 300-50
450	50	RFT/*-TB 450-50

*No of Compartment

All Trunking and Components are manufactured from pre-galvanized sheet steel to BS EN 10142 in the following thickness.

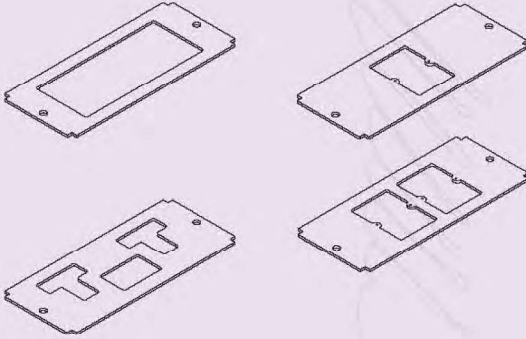
100 to 200mm width - 1mm thick body and cover.

300 to 450mm width - 1.2mm thick body and 1mm cover.

Raised Floor / Cavity Floor Trunking Accessories

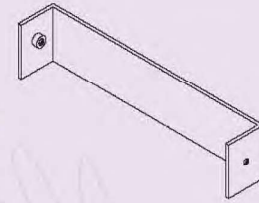
Give details of socket for which socket plate is to be manufactured. Normally available in epoxy finish.

Socket Plates



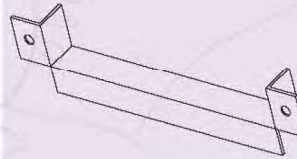
TYPE	Catalogue No.
Data	RFT / * - SP - D
Power	RFT / * - SP - P
Communication	RFT / * - SP - C

Blind End



WIDTH	HEIGHT	Catalogue No.
100	50	RFT / * - BE - 100 - 50
150	50	RFT / * - BE - 150 - 50
200	50	RFT / * - BE - 200 - 50
300	50	RFT / * - BE - 300 - 50
450	50	RFT / * - BE - 450 - 50

Wall Flange

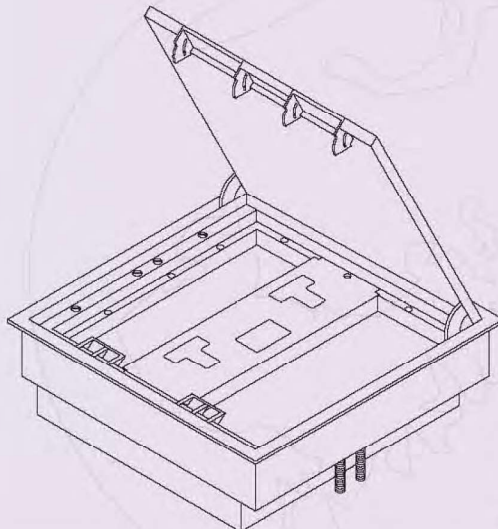


WIDTH	HEIGHT	Catalogue No.
100	50	RFT / * - WF - 100 - 50
150	50	RFT / * - WF - 150 - 50
200	50	RFT / * - WF - 200 - 50
300	50	RFT / * - WF - 300 - 50
450	50	RFT / * - WF - 450 - 50

Service Outlet Box

Suitable for 3 compartment & 4 compartment Trunking. Have 7mm Recess on the lid for carpet. Accomodate 87mm width 3 plates and 65mm width 4 plates. Provided with 20 and 25mm knockouts for flexible conduits.

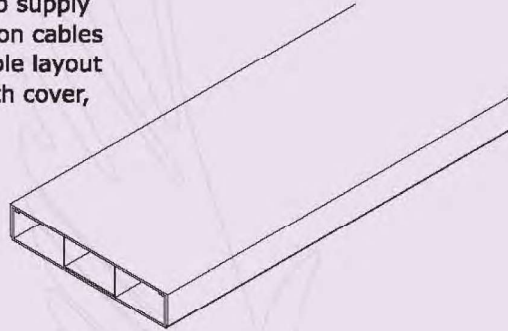
Service Outlet Box with Moulded Carpet Rim



No. of Comp.	Catalogue No.
3 Comp.	RFT / 3 - SB - M
4 Comp.	RFT / 4 - SB - M

Under Screed / Buried Screed Trunking

Under Screed Trunking is use to supply power, data & telecommunication cables in a floor system where the cable layout is pre determined. Supplied with cover, coupler and fastenings.

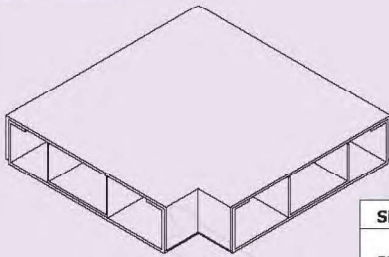


Size	Catalogue No.
225X38	UFT / * - 225 - 38
300X38	UFT / * - 300 - 38

*No of Compartment

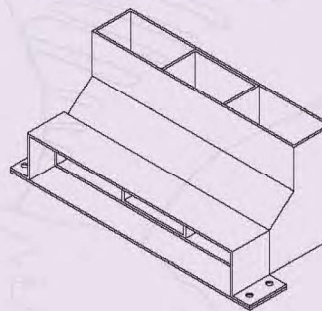
Standard length: - 2.44 mtr.
Side Height:- 38 mm
No. of compartments:- 3 & 4

90° Bend



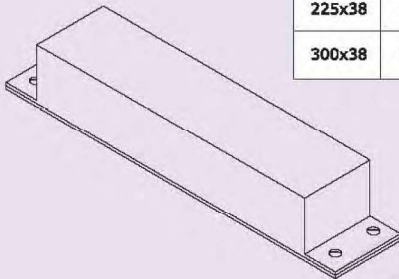
Size	Catalogue No.
225X38	UFT/* - 9H-225-38
300X38	UFT/* - 9H-300-38

Vertical access box



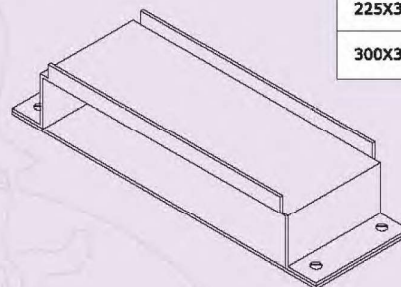
Size	Catalogue No.
225X38	UFT/* - VAB-225-38
300X38	UFT/* - VAB-300-38

Blind End



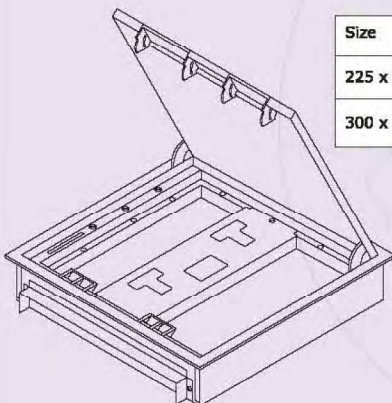
Size	Catalogue No.
225x38	UFT/* - BE-225-38
300x38	UFT/* - BE-300-38

Coupler



Size	Catalogue No.
225X38	UFT/* - CS-225-38
300X38	UFT/* - CS-300-38

Service Outlet Box with Mould Carpet Rim



Size	Catalogue No.
225 x 38	UFT /* - SB - 225-38
300 x 38	UFT /* - SB - 300-38

Material specification

All trunking and components are manufactured from pre-galvanized sheet steel to BS EN 10142 in the following thicknesses.

Cover	1.00mm
Body	1.20mm
Divider	1.00mm

Use Catalogue code UFT / * - HT 300 - 38 for Horizontal Tee and UFT / * - HC 300 - 38 for Horizontal Cross