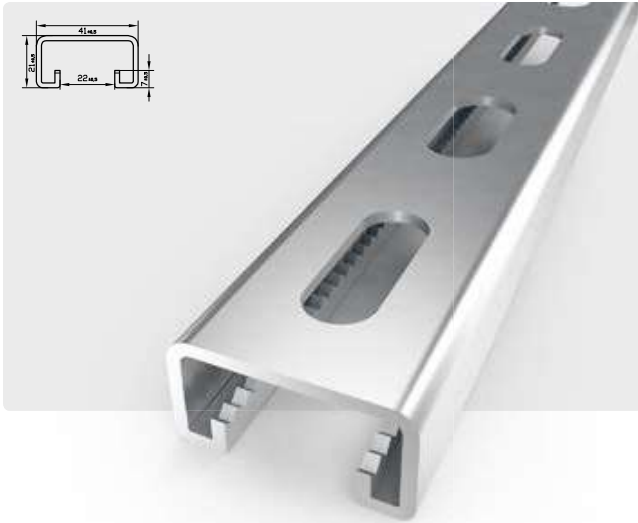
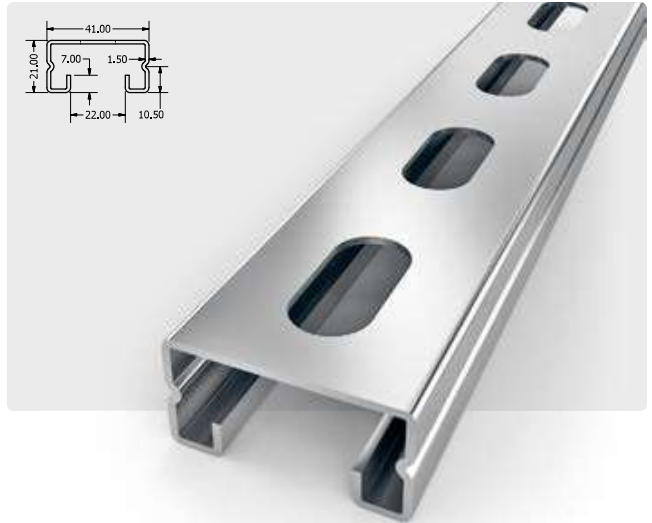


# STRUT Channel

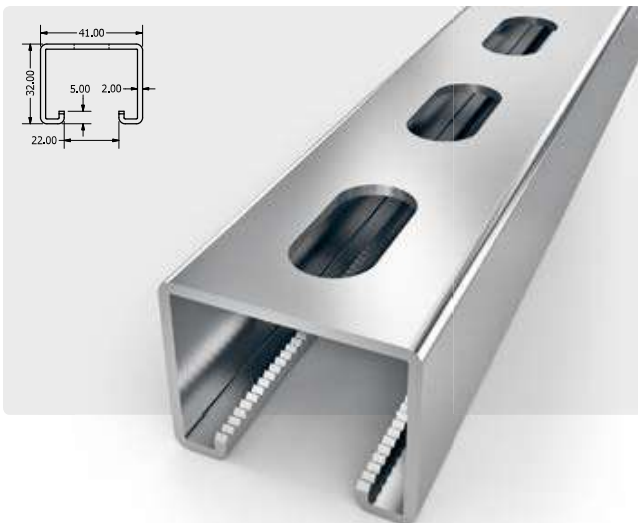
STU 41-21-7



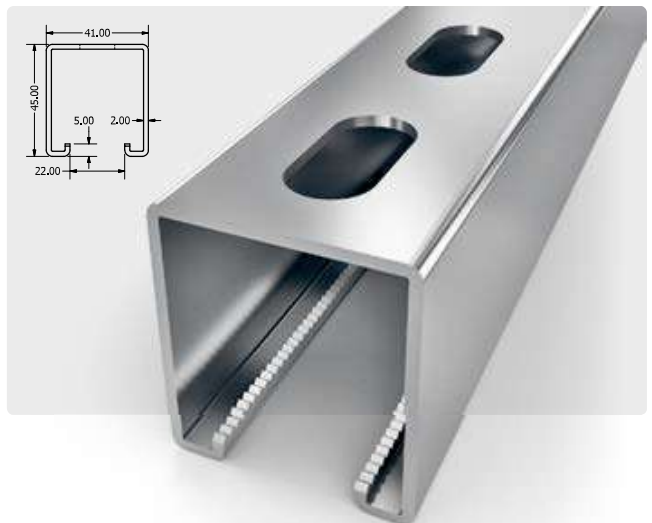
STU 41-21-7



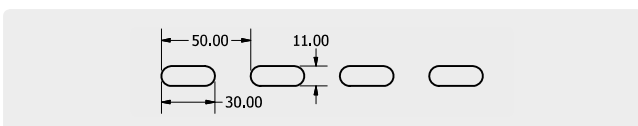
STU 41-32-5



STU 41-45-5

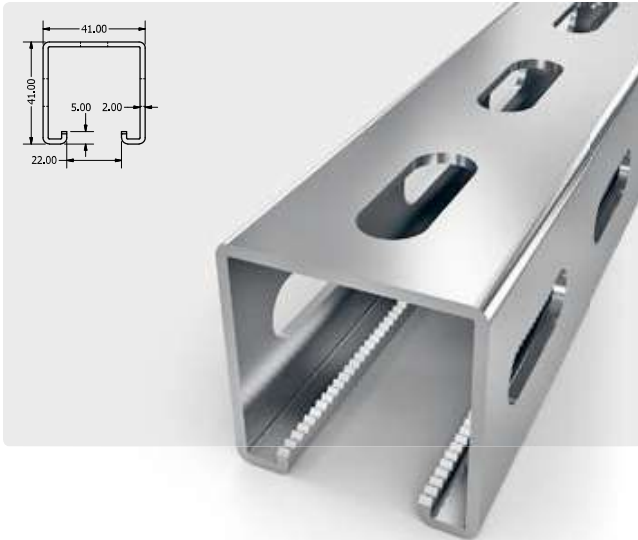


## Channel perforation



# STRUT Channel

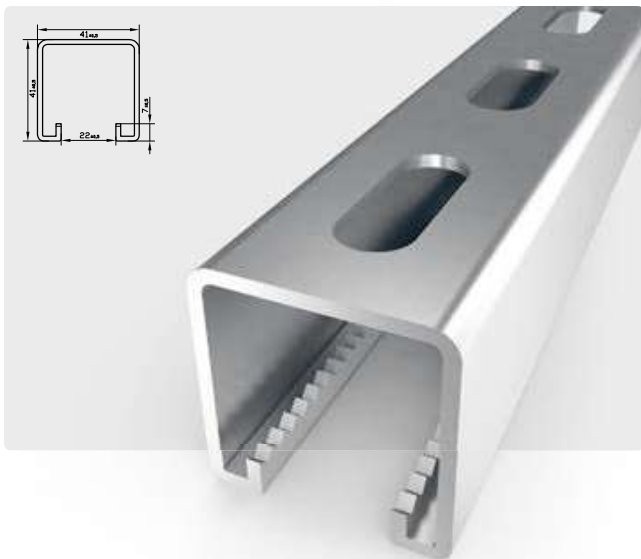
STU 41-41-5



STU 41-41-7



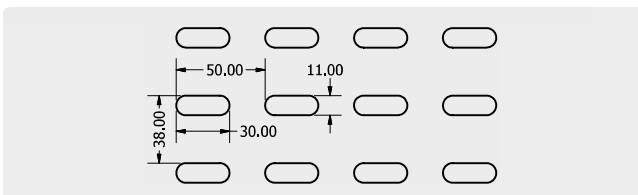
STU 41-41-7



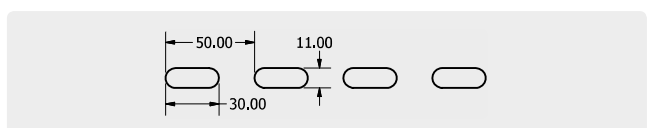
STU 41-52-7



Perforation for: STU 41-41-5

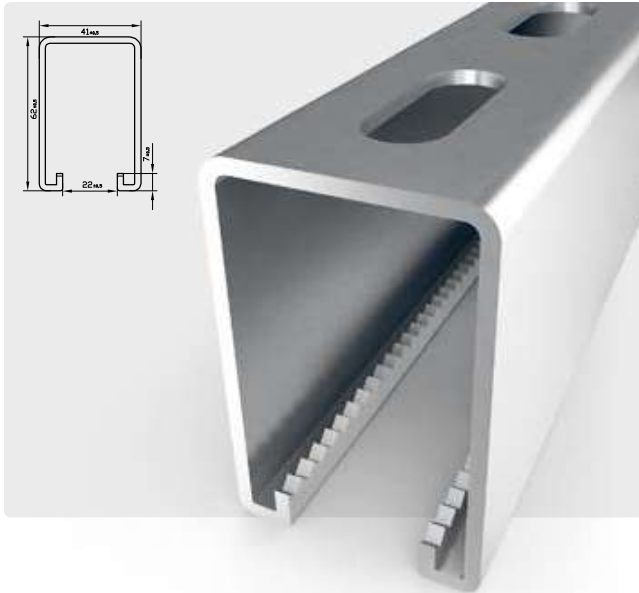


Perforation for other rails

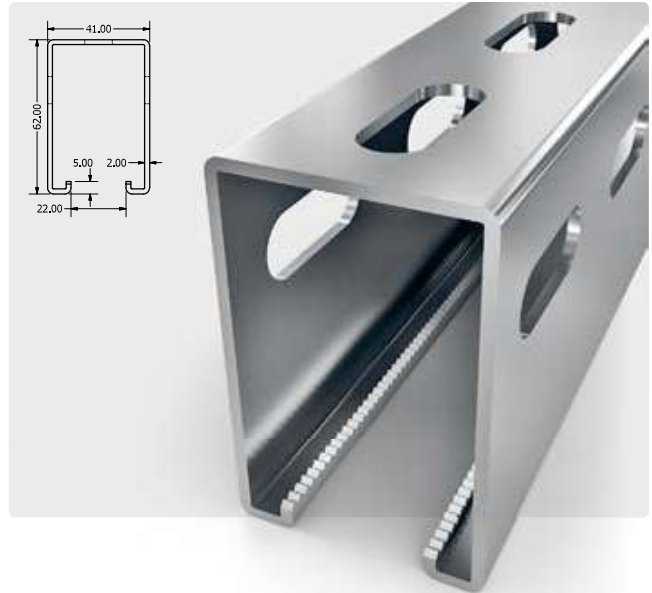


# STRUT Channel

STU 41-62-7



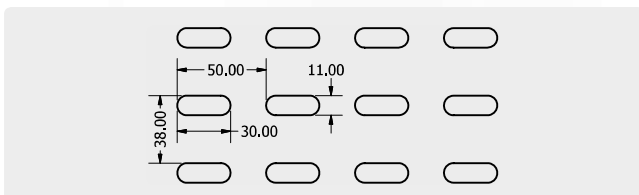
STU 41-62-5



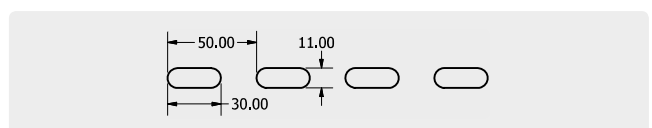
STU 41-82/83-7



Perforation for: STU 41-62-5



Perforation for other rails



# STRUT Channel

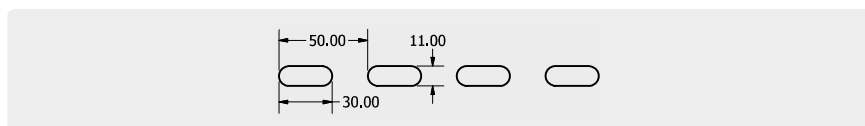
**STU 45-40-7**



**STU 45-60-7**



**Channel perforation**



# STRUT Channel – double

STU 41-21-7



STU 41-41-7

