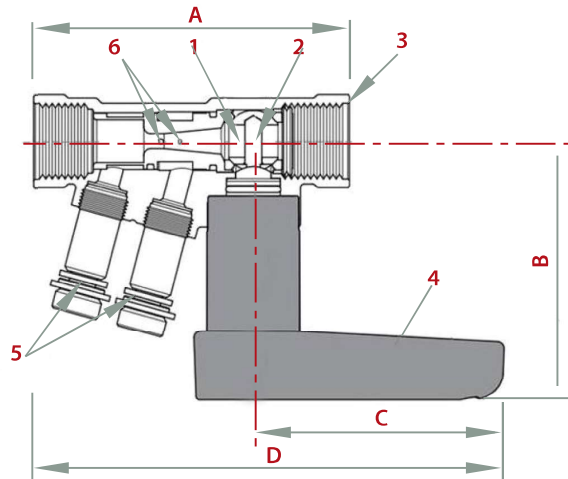


TFL FIXED ORIFICE DOUBLE REGULATING VALVE DN 15-50



Bill of Materials			
No.	Description	Material	Annotation
1	Isolation Ball	DZR Brass (Chrome Plated)	CuZn36Pb2As
2	Needle	DZR Brass (Chrome Plated)	CuZn36Pb2As
3	Body	DZR Brass	CuZn36Pb2As
4	Handle	Polyamide	PA6.6 30%GF
5	Testing point sealing	Synthetic rubber	EPDM
6	Venturi Tube	DZR Brass	CuZn36Pb2As

Technical Parameters		
No.	Description	Material
1	Flow range	0,036-3,51 l/s (130-12630 l/h)
2	Number of settings	99
3	Working Pressure	25 Bar
4	Working Temperature	-20°C ≤ t ≤ 120°C

UNIQUE ADVANTAGES OF TFL FODRV

- Extensive product range from DN 15-50.
- Constant measuring accuracy better than +/- 3%.
- Measuring system insensitive to system debris.
- One constant Kv-value indicated on handle.
- Simultaneous measuring and regulation.
- Setting fast and easy using an Allen key.
- Digital setting scale precise and easy to read.
- No change in setting when isolated and reopened.
- Isolation simply done using the ¼-turn handle.
- Easy identification of open or isolated position.
- No need for 3-5 DN straight piping when installed.
- Installation directly onto bends, reducers & flexible hoses.
- Installation can be done in all needed positions.
- Prefabricated insulation is fast and easy to apply.
- Insulation is possible before doing commissioning.

Dimensions					
Size mm	A mm	B mm	C mm	D mm	Kvs
15	94	76	75	140	1.62
20	100	79	75	145	2.82
25	122	83	75	150	7.54
32	130	109	122	208	13.2
40	140	113	122	213	22
50	156	120	122	221	36

* KVS values refer to pressure losses across the entire valve.

SPECIFICATION

- Flow range 0,036-3,51 l/s
- Maximum pressure 25 bar
- Working temperature: -20°C ≤ t ≤ 120°C
- Threaded to ISO 7
- Size range 15 to 50mm