

# TFL VALVES BFX16-W

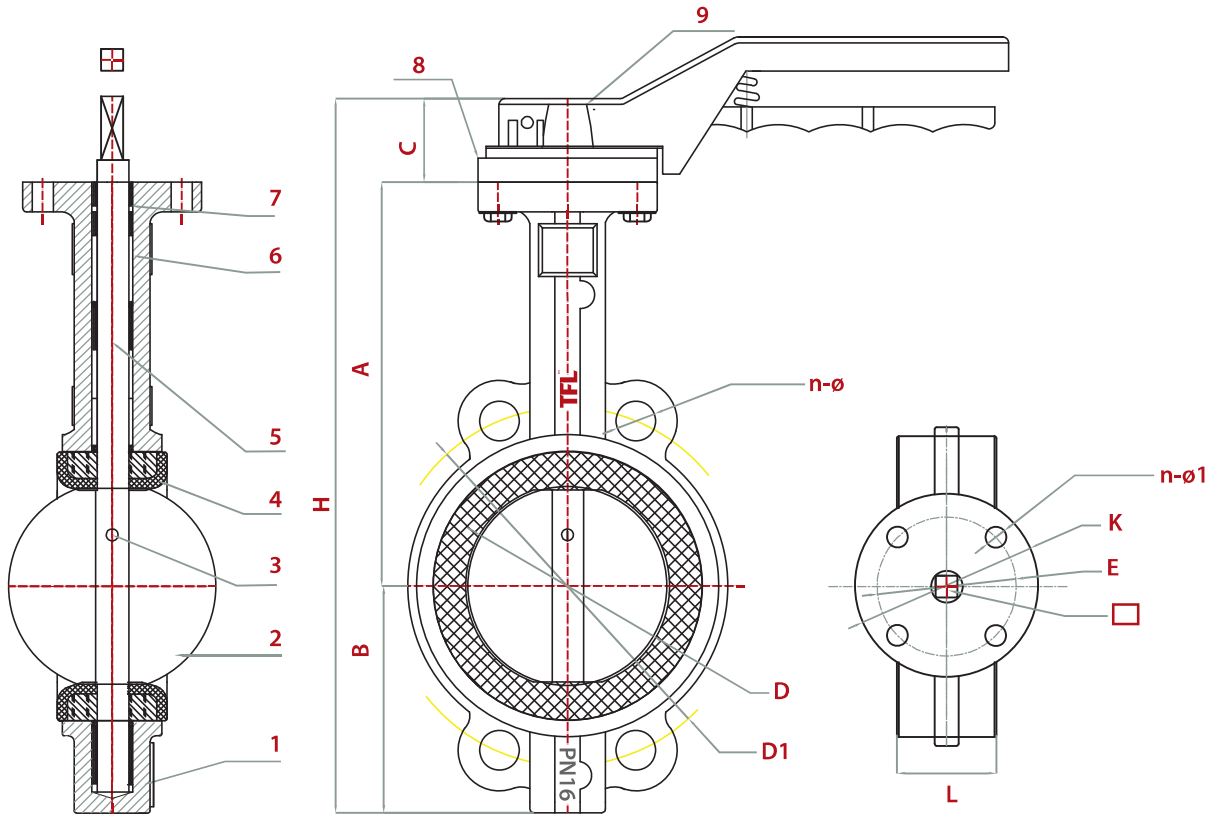
WAFER BUTTERFLY VALVE DN 65-150 PN16



## SPECIFICATION

Design as BS EN 593  
Face to face dimension to conform to ISO 5752/BS EN 558  
Suitable for use with flange conforming to BS EN 1092-2 PN16  
Actuator mounting flange according to ISO 5211  
Fusion bonded epoxy coating  
Lever operated with Gear box option  
Sizes range from 65 to 600

# BFX16-W (WAFER BUTTERFLY VALVE DN 65-150 PN16)



## DIMENSIONS

Size mm	A mm	B mm	C mm	H mm	L mm	D mm	D1 mm	n-ø mm	K mm	E mm	n-ø1 mm	□mm <sup>2</sup>
65	178	88	43	309	43	64	145	4-19	90	70	4-10	9x9
80	182	96	43	321	44	78	160	4-19	90	70	4-10	9x9
100	203	114	43	360	50	104	180	4-20	90	70	4-10	11x11
125	214	126	43	383	54	123	210	4-20	90	70	4-10	14x14
150	229	140	43	412	54	157	240	4-24	90	70	4-10	14x14

## MATERIAL

No.	Part	Material	Annotation
1	Body	Cast Iron	1452 Gr. 220
	Body	Ductile Iron	2789 Gr.240/12
2	Disc	NP Ductile Iron	2798 Gr. 420/12
	Disc	Stainless Steel	SS 304
3	Taper Pins	Stainless Steel	304 S15
4	Liner	EPDM	EPDM
5	Shaft	Stainless Steel	416 S21
6	Bushing	Teflon	PTFE
7	O-Ring	Rubber	NBR
8	Notch Plate	Aluminium	Al
9	Lever	Aluminium	Al

## PRESSURE/ TEMPERATURE RATINGS

Working Pressure	16 bar
Testing Pressure	Shell: 24 bar, Seat: 17.6 bar
Working Temperature	-10°C - 110°C
Suitable Media	Water, Oil & Gas
For gas applications, please consult Technoflow prior to use.	

# TFL VALVES BFX16-W

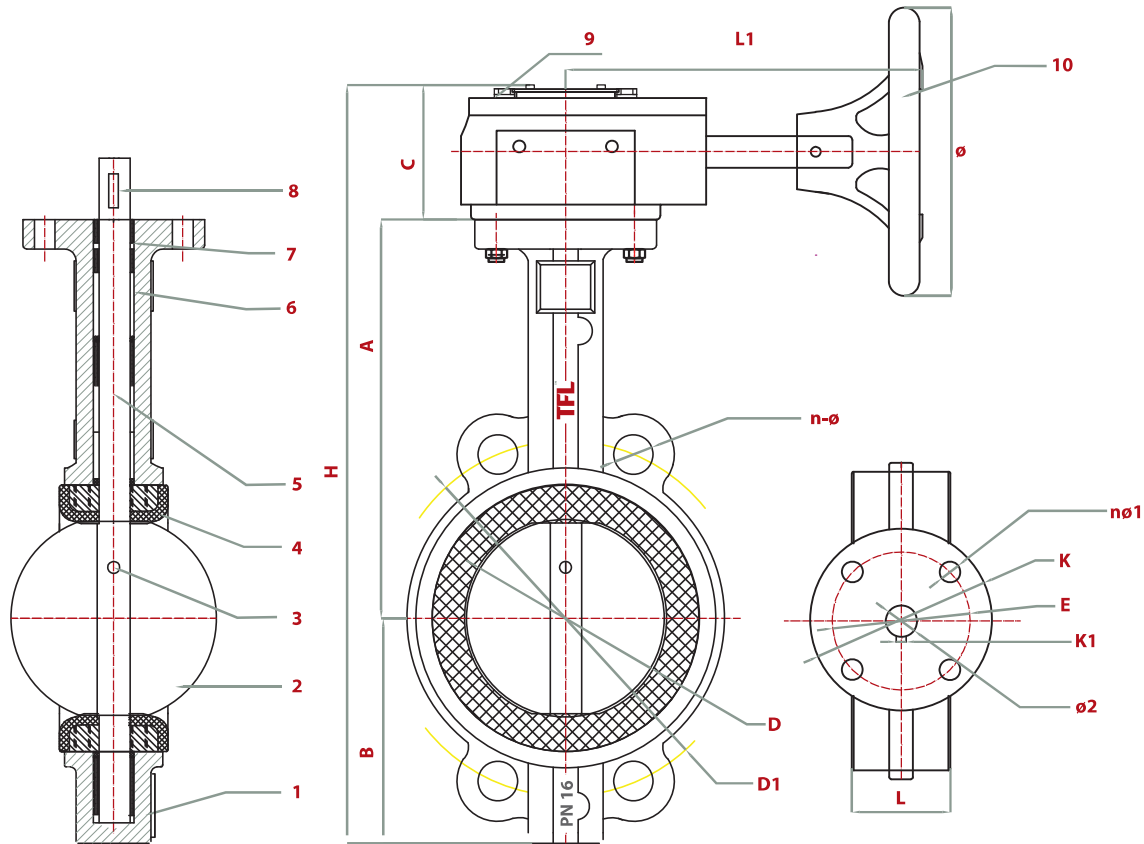
WAFER BUTTERFLY VALVE DN 200-350 PN16



## SPECIFICATION

Design as BS EN 593  
Face to face dimension to conform to ISO 5752/BS EN 558  
Suitable for use with flange conforming to BS EN 1092-2 PN16  
Actuator mounting flange according to ISO 5211  
Fusion bonded epoxy coating  
Gear operated  
Sizes range from 65 to 600

# BFX16-W (WAFER BUTTERFLY VALVE DN 200-350 PN16)



## DIMENSIONS

Size mm	A mm	B mm	C mm	H mm	L1 mm	ø mm	L mm	D mm	D1 mm	n-ø mm	K mm	E mm	n-ø1 mm	ø 2 mm	K1 mm
200	260	175	70	505	201	278	59	202.6	295	4-22	125	102	4-12	22.2	5-0.04
250	292	203	82	577	207	278	64	250.6	355	4-26	125	102	4-12	28.6	8-0.045
300	337	240	82	659	221	278	74	301.9	410	4-26	125	102	4-12	31.8	8-0.045
350	368	270	82	720	221	278	74	333.5	470	4-26	150	125	4-14	31.8	8-0.045

## MATERIAL

No.	Part	Material	Annotation
1	Body	Cast Iron	1452 Gr.220
	Body	Ductile Iron	2789 Gr. 420/12
2	Disc	NP Ductile Iron	2789 Gr. 420/12
	Disc	Stainless Steel	SS 304
3	Taper Pins	Stainless Steel	304 S15
4	Liner	EPDM	
5	Shaft	Stainless Steel	416 S21
6	Bushing	PTFE	PTFE
7	O-Ring	Rubber	NBR
8	Key	Carbon Steel	EN8
9	Gear Box Body	Cast Iron	1452 Gr. 220
10	Hand Wheel	Cast Iron	1452 Gr. 220

## PRESSURE/ TEMPERATURE RATINGS

Working Pressure	16 bar
Testing Pressure	Shell: 24 bar, Seat: 17.6 bar
Working Temperature	-10°C - 110°C
Suitable Media	Water, Oil & Gas
For gas applications, please consult Technoflow prior to use.	