



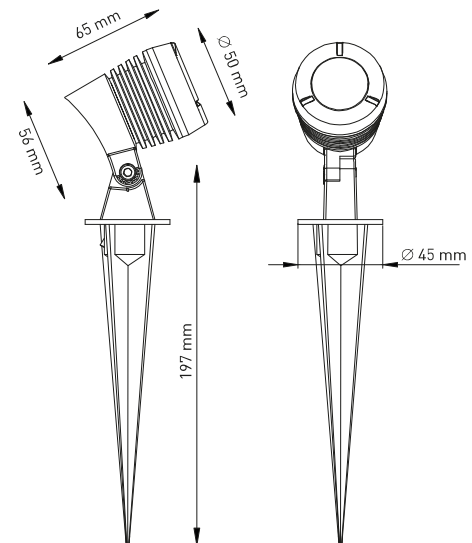
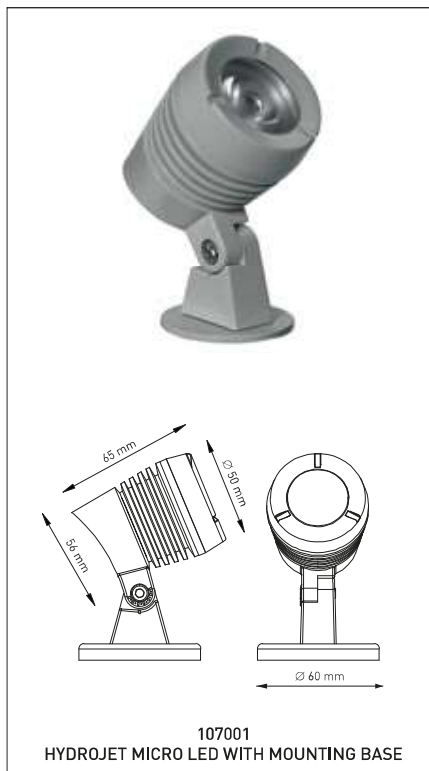
**107002 HYDROJET MICRO LED**



Spike projector for outdoor installation through earth spike. Phospho-chromatised and polyester powder coated die-cast copper-free aluminium body, tempered safety glass, moulded silicone gasket and stainless steel screws, built-in LED driver 220-240V 50-60Hz, with 1 CREE XB-D LED. IP66 rating.

**Energy Label** **A++**

- Material: high corrosion resistance die-cast copper-free aluminum body
- Coating: polyester powder coating with phosphochromating pre-finish
- NR. 1 x 2W CREE "XB-D" LED
- Electronic transformer 220/240V 50/60Hz included
- Stainless steel screws
- Silicone rubber gasket
- Tempered safety glass.
- 1 mt, neoprene power cable included



	LIGHT SOURCE	LED COLOR*	LIGHT BEAM OPTIONS	LUMEN OUTPUT (lm)	LUMINOUS EFFICACY (lm/w)	COLORS OPTIONS
2 WATT 220-240V 50-60HZ ELECTRONIC IP66 0,60 KG UNIT GROSS WEIGHT	HIGH-POWER LED	3.000°K WARM-WHITE	30°	139	69.50	TEXTURED GREY



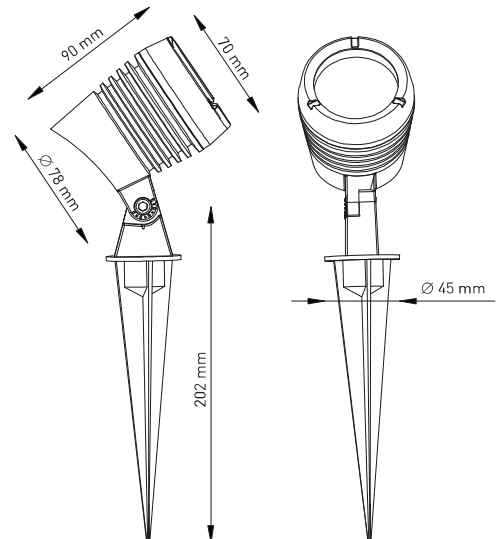
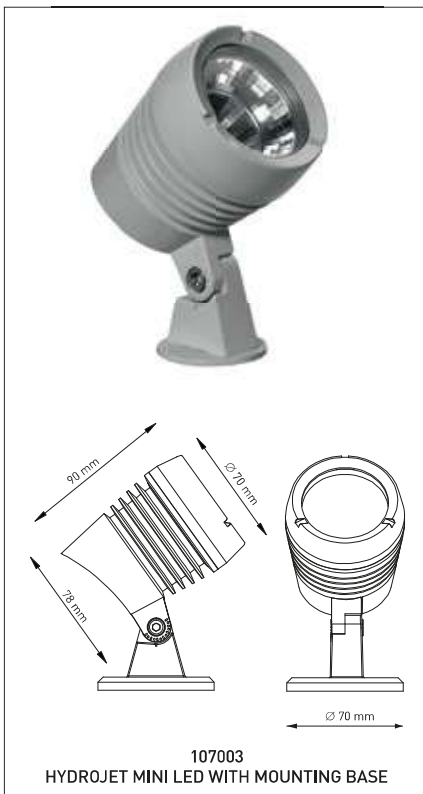
**107004 HYDROJET MINI LED**



Spike projector for outdoor installation through earth spike. Phospho-chromatised and polyester powder coated die-cast copper-free aluminium body, tempered safety glass, moulded silicone gasket and stainless steel screws. built-in LED driver 220-240V 50-60Hz, with 1 CREE CXA 1304 COB LED. IP66 rating.

**Energy Label** A++

- Material: high corrosion resistance die-cast copper-free aluminum body
- Coating: polyester powder coating with phosphochromating pre-finish
- NR. 1 x 6W COB CREE "CXA 1304" LED
- Electronic transformer 220/240V 50/60Hz included
- Stainless steel screws
- Silicone rubber gasket
- Tempered safety glass.
- 1 mt. neoprene power cable included



	LIGHT SOURCE	LED COLOR*	LIGHT BEAM OPTIONS	LUMEN OUTPUT (lm)	LUMINOUS EFFICACY (lm/w)	COLORS OPTIONS
6 WATT 220-240V 50-60HZ ELECTRONIC IP66 0,70 KG UNIT GROSS WEIGHT	COB LED	3.000°K WARM-WHITE	30°	492	82.00	TEXTURED GREY