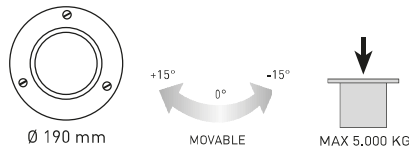
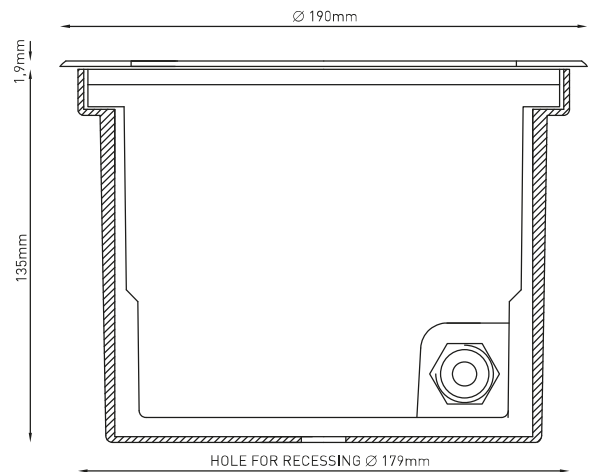


201024 HYDROFLOOR MEDIUM PERFORMANCE LED

Round ground-recessed luminaire for outdoor installation, Phosphochromatised and polyester powder coated die-cast copper-free aluminium body and stainless steel AISI 304 frame, tempered safety glass, moulded silicone gasket. Built-in LED driver 220-240V 50-60Hz, with 5 CREE XP-G2 LED. IP67 rating.

Energy Label A++

- Material: high corrosion resistance die-cast copper-free aluminum body
- Coating: polyester powder coating with phosphochromating pre-finish
- Stainless steel AISI 304 ring.
- NR, 5 x 1,5W CREE "XP-G2" LED
- Electronic transformer 220/240V 50/60Hz included
- Stainless steel screws
- Silicone rubber gasket
- Tempered safety glass.
- Max static weight resistance 5.000 Kg
- Protection against impact IK10 (20 joule)
- M20 cable gland.
- Adjustable +/- 15 degrees.
- Polypropilene recessing box included.
- 1 mt. neoprene power cable included



8 WATT
220-240V 50-60HZ ELECTRONIC
IP67
2.20 KG UNIT GROSS WEIGHT

LIGHT SOURCE	LED COLOR*	LIGHT BEAM OPTIONS	LUMEN OUTPUT (lm)	LUMINOUS EFFICACY (lm/w)	COLORS OPTIONS
HIGH-POWER LED	3.000°K WARM-WHITE	10°	720	90.00	STAINLESS STEEL
		30°	684	85.50	
		45°	650	81.25	
	6.000°K COLD-WHITE	10°	750	93.75	
		30°	713	89.13	
		45°	677	84.63	

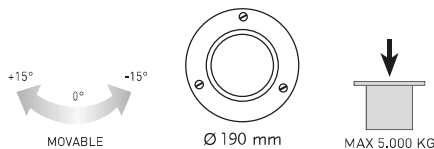
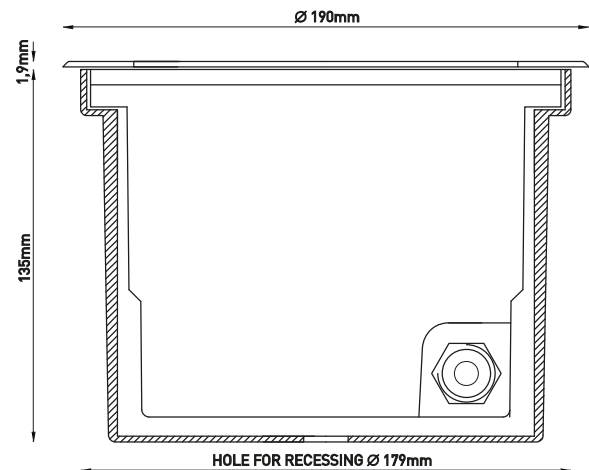
* OTHER LIGHT COLORS AVAILABLE ON REQUEST: ○ 4.000°K NEUTRAL-WHITE, ● BLUE

201026M HYDROFLOOR MEDIUM AR-111 ROUND G53



Round ground-recessed luminaire for outdoor installation, Phosphochromatised and polyester powder coated die-cast copper-free aluminium body and stainless steel AISI 304 frame, tempered safety glass, moulded silicone gasket. Built in transformer 230V 50Hz, G53 AR-111 LED / halogen. IP67 rating.

- Material: high corrosion resistance die-cast copper-free aluminum body
- Coating: polyester powder coating with phosphochromating pre-finish
- Stainless steel AISI 304 ring.
- G53 base, MAX 50W
- Built-in toroidal transformer 230V 50Hz.
- Stainless steel screws
- Silicone rubber gasket
- Tempered safety glass.
- Fully frosted glass available on request.
- Max static weight resistance 5.000 Kg
- Protection against impact IK10 (20 joule)
- Adjustable +/- 15 degrees.
- M20 cable gland.
- Polypropilene recessing box included.



	LIGHT SOURCE	LIGHT COLOR	LIGHT BEAM OPTIONS	COLORS OPTIONS
50 WATT MAX 220-230V 50-60HZ IP67 2.50 KG UNIT GROSS WEIGHT	 G53 LED / HALOGEN	SEE BULB FEATURES	SEE BULB FEATURES	STAINLESS STEEL



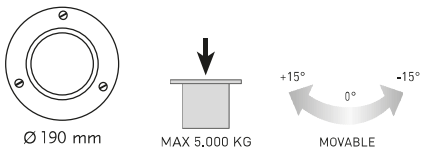
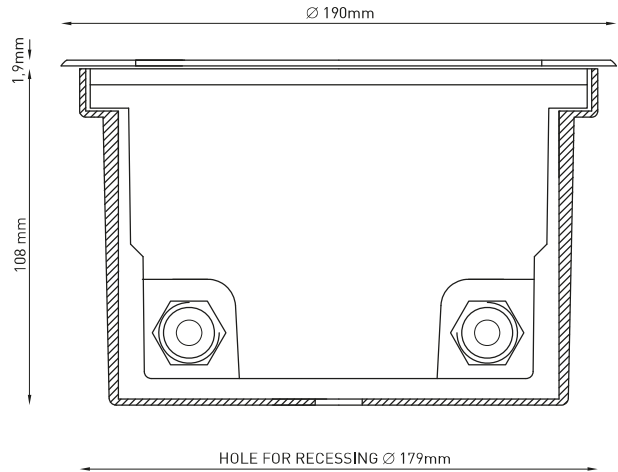


201058 HYDROFLOOR MEDIUM COMPACT PERFORMANCE LED

Round compact ground-recessed luminaire for outdoor installation, Phospho-chromatised and polyester powder coated die-cast copper-free aluminium body and stainless steel AISI 304 frame, tempered safety glass, moulded silicone gasket. Built-in LED driver 220-240V 50-60Hz, with 5 CREE XP-G2 LED. IP67 rating.

Energy Label A++

- Material: high corrosion resistance die-cast copper-free aluminum body
- Coating: polyester powder coating with phosphocromating pre-finish
- Stainless steel AISI 304 ring.
- NR. 5 x 1.5W CREE "XP-G2" LED
- Electronic transformer 220/240V 50/60Hz included
- Stainless steel screws
- Silicone rubber gasket
- Tempered safety glass.
- Max static weight resistance 5,000 Kg
- Protection against impact IK10 [20 joule]
- Double M20 cable gland.
- Adjustable +/- 15 degrees.
- Polypropilene recessing box included.
- 1 mt. neoprene power cable included



8 WATT
220-240V 50-60HZ ELECTRONIC
IP67
2.20 KG UNIT GROSS WEIGHT

LIGHT SOURCE	LED COLOR*	LIGHT BEAM OPTIONS	LUMEN OUTPUT (lm)	LUMINOUS EFFICACY (lm/w)	COLORS OPTIONS
HIGH-POWER LED	3,000°K WARM-WHITE	10°	720	90.00	STAINLESS STEEL
		30°	684	85.50	
		45°	650	81.25	
	6,000°K COLD-WHITE	10°	750	93.75	
		30°	713	89.13	
		45°	677	84.63	

* OTHER LIGHT COLORS AVAILABLE ON REQUEST: ○ 4,000°K NEUTRAL-WHITE, ● BLUE