




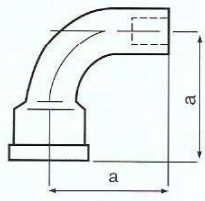
FIG. NO DESCRIPTION (ABBRE)	SIZE (INCH)	a	b (mm.)	c	PCS/ INNER	QTY OF INNER	PCS/ MASTER	WT/ MASTER KGS.
FIG. 1 (36BB) BENDS M&F 90° (BMF 90)   BRITISH STANDARD	1/8	32.0			50	12	600	
	1/4	38.0			80	6	480	27
	3/8	44.0			60	12	720	60
	1/2	52.0			40	8	320	43
	3/4	65.0			25	6	150	33
	1	82.0			20	4	80	30
	1-1/4	100.0			12	3	36	23
	1-1/2	115.0			10	3	30	26
	2	140.0			10	2	20	30
	2-1/2	175.0					10	26
	3	205.0					6	31
	4	260.0					4	35
	5	318.0					2	29
	6	375.0					1	24


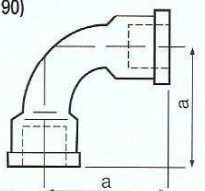
FIG. NO DESCRIPTION (ABBRE)	SIZE (INCH)	a	b (mm.)	c	PCS/ INNER	QTY OF INNER	PCS/ MASTER	WT/ MASTER KGS.
FIG. 2 (37BB) BENDS F 90° (BF 90)   BRITISH STANDARD	1/2	52.0			35	8	280	43
	3/4	65.0			25	6	150	39
	1	82.0			20	4	80	33
	1-1/4	100.0			12	3	36	23
	1-1/2	115.0			12	2	24	22
	2	140.0			12	2	24	37
	2-1/2	175.0					10	29
	3	205.0					6	27
	4	260.0					2	19
	6	375.0						


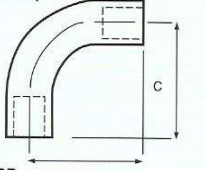
FIG. NO DESCRIPTION (ABBRE)	SIZE (INCH)	a	b (mm.)	c	PCS/ INNER	QTY OF INNER	PCS/ MASTER	WT/ MASTER KGS.
FIG. 3 BENDS M&M 90° (BM 90)   BRITISH STANDARD	1			63.0	20	4	80	30
	1-1/4			76.0	12	3	36	23
	1-1/2			85.0	10	3	30	26
	2			102.0	10	2	20	31


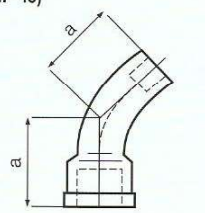
FIG. NO DESCRIPTION (ABBRE)	SIZE (INCH)	a	b (mm.)	c	PCS/ INNER	QTY OF INNER	PCS/ MASTER	WT/ MASTER KGS.
FIG. 40 (38BB) BENDS M&F 45° (BMF 45)   BRITISH STANDARD	3/8	35.0						
	1/2	38.0			50	8	400	43
	3/4	45.0			30	6	180	33
	1	55.0			25	4	100	31
	1-1/4	63.0			20	3	60	30
	1-1/2	70.0			15	3	45	27
	2	85.0			15	2	30	31
	2-1/2	100.0			8	2	16	27
	3	115.0					12	31
	4	145.0					5	25
	5	170.0					2	18
6	195.0					1	15	


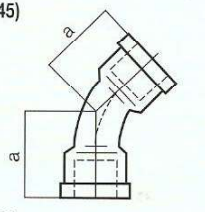
FIG. NO DESCRIPTION (ABBRE)	SIZE (INCH)	a	b (mm.)	c	PCS/ INNER	QTY OF INNER	PCS/ MASTER	WT/ MASTER KGS.
FIG. 41 (39BB) BENDS F 45° (BF 45)   BRITISH STANDARD	1/2	38.0			40	8	320	45
	3/4	45.0			25	6	150	34
	1	55.0			25	4	100	35
	1-1/4	63.0			15	4	60	34
	1-1/2	70.0			15	3	45	32
	2	85.0			10	2	20	25
	2-1/2	100.0			6	2	12	25
	3	115.0					12	35
	4	145.0					5	26


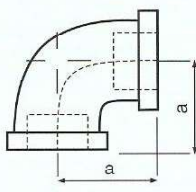
FIG. NO DESCRIPTION (ABBRE)	SIZE (INCH)	a	b (mm.)	c	PCS/ INNER	QTY OF INNER	PCS/ MASTER	WT/ MASTER KGS.
FIG. 90 (2A) ELBOWS 90° (L 90)  	1/8	17.5			50	B12	600	19
	1/4	20.6			35	B12	420	20
	3/8	24.1			45	12	540	41
	1/2	28.5			50	8	400	43
	3/4	33.3			35	6	210	33
	1	38.1			20	6	120	33
	1-1/4	44.5			20	4	80	32
	1-1/2	49.3			10	6	60	30
	2	57.2			8	4	32	28
	2-1/2	70.0			6	3	18	26
	3	81.0			7	2	14	28
	3-1/2	90.0					6	20
	4	99.0					6	21
	5	113.0					2	12
	6	132.0					2	16


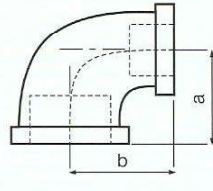
FIG. NO DESCRIPTION (ABBRE)	SIZE (INCH)	a	b (mm.)	c	PCS/ INNER	QTY OF INNER	PCS/ MASTER	WT/ MASTER KGS.
FIG. 90R (2B) RED. ELBOWS (RL)  	1/4x1/8	18.8	19.3		40	B12	480	22
	3/8x1/8	20.5	21.6		70	12	840	46
	3/8x1/4	22.4	22.9		60	12	720	47
	1/2x1/8	22.0	23.4		40	12	480	39
	1/2x1/4	24.6	24.9		40	12	480	41
	1/2x3/8	26.4	26.2		50	8	400	38
	3/4x1/8	24.1	26.0		50	8	400	44
	3/4x1/4	26.7	27.4		40	8	320	41
	3/4x3/8	28.5	28.7		25	12	300	40
	3/4x1/2	30.5	31.0		30	8	240	35
	1x1/8	26.2	29.7					
	1x1/4	28.2	31.0		40	6	240	
	1x3/8	30.0	32.3		40	6	240	43
	1x1/2	32.0	35.5		30	6	180	36
	1x3/4	34.8	36.8		25	6	150	35
	1-1/4x3/8	32.8	36.6		80	2	160	44
	1-1/4x1/2	34.0	38.9		35	4	140	40
	1-1/4x3/4	36.8	41.2		15	8	120	37
	1-1/4x1	40.1	42.4		10	8	80	28
	1-1/2x3/8	33.8	39.0		30	4	120	40
	1-1/2x1/2	35.8	42.2		25	4	100	33
	1-1/2x3/4	38.6	44.5		15	6	90	42
	1-1/2x1	41.9	45.7		10	8	80	34
	1-1/2x1-1/4	46.2	47.8		15	4	60	29
	2x1/2	37.3	43.4		15	4	60	30
	2x3/4	40.6	50.0		10	6	60	31
	2x1	43.5	50.5		14	4	56	32
	2x1-1/4	48.3	53.3		10	4	40	27
	2x1-1/2	51.3	54.9		10	4	40	29
	2-1/2x3/4	43.8	59.4		10	4	40	36
	2-1/2x1	47.5	60.2		8	4	32	31
	2-1/2x1-1/4	51.8	62.2		8	3	24	25
	2-1/2x1-1/2	54.9	63.8		8	3	24	28
	2-1/2x2	60.7	66.0		8	3	24	30
	3x1-1/2	57.9	71.0		5	4	20	29
	3x2	64.0	73.4		6	3	18	26
	3x2-1/2	71.9	75.9		8	2	16	31
	4x2	69.0	88.5				12	28
	4x2-1/2	81.0	91.0				8	24
	4x3	83.8	91.4				9	29



FIG. NO DESCRIPTION (ABBRE)	SIZE (INCH)	a	b (mm.)	c	PCS/ INNER	QTY OF INNER	PCS/ MASTER	WT/ MASTER KGS.
FIG. 92 (6) STREET ELBOWS 90° (SL 90)	1/8	17.5	25.4		60	B12	720	20
	1/4	20.6	30.2		35	B12	420	19
	3/8	24.1	36.6		40	12	480	34
	1/2	28.5	41.2		60	6	360	39
	3/4	33.3	48.0		35	6	210	33
	1	38.1	54.4		30	4	120	33
	1-1/4	44.5	62.2		25	3	75	31
	1-1/2	49.3	68.3		9	6	54	29
	2	57.2	82.8		10	3	30	26
	2-1/2	70.0	98.0		9	2	18	29
	3	81.0	114.6		7	2	14	34
	4	99.0	144.5				6	25
	5	113.0	174.2					
	6	132.0	204.0				2	

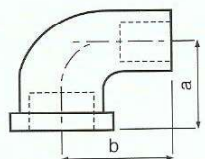


FIG. NO DESCRIPTION (ABBRE)	SIZE (INCH)	a	b (mm.)	c	PCS/ INNER	QTY OF INNER	PCS/ MASTER	WT/ MASTER KGS.
FIG. 120 (4) ELBOWS 45° (L 45)	1/8	17.0			50	B12	600	18
	1/4	18.5			30	B12	360	19
	3/8	20.3			50	12	600	42
	1/2	22.4			50	8	400	40
	3/4	24.9			40	6	240	38
	1	28.5			20	6	120	31
	1-1/4	32.8			20	4	80	30
	1-1/2	36.3			10	6	60	30
	2	42.7			12	3	36	26
	2-1/2	49.5			9	3	27	36
	3	55.1			10	2	20	33
	4	66.3					6	19
	5	77.5					6	23
	6	87.9					2	13

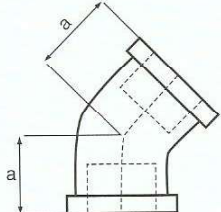


FIG. NO DESCRIPTION (ABBRE)	SIZE (INCH)	a	b (mm.)	c	PCS/ INNER	QTY OF INNER	PCS/ MASTER	WT/ MASTER KGS.
FIG. 121 (7) STREET ELBOWS 45° (SL 45)	1/8	17.0	21.0		70	B12	840	23
	1/4	18.5	23.9		40	B12	480	22
	3/8	20.3	26.2		50	12	600	42
	1/2	22.4	29.2		75	6	450	38
	3/4	24.9	32.8		40	6	240	36
	1	28.5	37.3		25	6	150	33
	1-1/4	32.8	43.4		10	8	80	27
	1-1/2	36.3	47.8		10	6	60	28
	2	42.7	56.4		12	3	36	27
	2-1/2	49.5	65.3		12	2	24	32
	3	55.1	76.2		9	2	18	36
	4	66.3	94.0				7	25

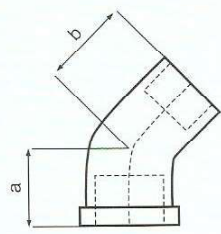


FIG. NO DESCRIPTION (ABBRE)	SIZE (INCH)	a	b (mm.)	c	PCS/ INNER	QTY OF INNER	PCS/ MASTER	WT/ MASTER KGS.
FIG. 130R (11B) RED. TEES (RT)	1/4x1/8	18.8	18.8	19.3	25	12	300	19
	3/8x1/8	20.6	20.6	21.6	40	12	480	37
	3/8x1/4	22.4	22.4	22.9	40	12	480	44
	1/2x1/8	22.8	22.8	23.8	30	12	360	40
	1/2x1/4	24.6	24.6	24.9	25	12	300	34
	1/2x3/8	26.4	26.4	26.2	45	6	270	39
	3/4x1/8	24.8	24.8	26.8	30	8	240	39
	3/4x1/4	26.7	26.7	27.4	25	8	200	36
	3/4x3/8	28.5	28.5	28.7	30	6	180	34
	3/4x1/2	30.5	30.5	31.0	30	6	180	36
	1x1/4	28.2	28.2	31.0	25	6	150	41
	1x3/8	30.0	30.0	32.3	20	6	120	33
	1x1/2	32.0	32.0	35.5	15	8	120	36
	1x3/4	34.8	34.8	36.8	25	4	100	33
1-1/4x3/8	32.0	32.0	36.6					

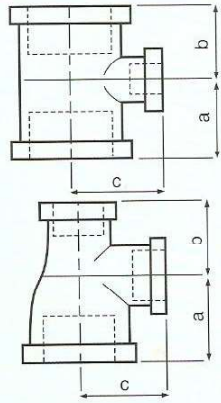


FIG. NO DESCRIPTION (ABBRE)	SIZE (INCH)	a	b (mm.)	c	PCS/ INNER	QTY OF INNER	PCS/ MASTER	WT/ MASTER KGS.
FIG. 130R (11B) RED. TEES (RT)	1-1/4x1/2	34.0	34.0	38.9	20	4	80	34
	1-1/4x3/4	36.8	36.8	41.2	12	6	72	35
	1-1/4x1	40.1	40.1	42.4	16	4	64	33
	1-1/2x1/4	31.0	31.0	38.0	18	4	72	33
	1-1/2x1/2	35.8	35.8	42.2	18	4	72	37
	1-1/2x3/4	38.6	38.6	44.5	10	6	60	31
	1-1/2x1	41.9	41.9	45.7	13	4	52	34
	1-1/2x1-1/4	46.2	46.2	47.8	15	3	45	33
	2x1/2	37.9	37.9	47.8	10	4	40	40
	2x3/4	40.6	40.6	50.0	10	4	40	31
	2x1	43.9	43.9	51.3	12	3	36	30
	2x1-1/4	48.3	48.3	53.3	8	4	32	28
	2x1-1/2	51.3	51.3	54.9	8	4	32	31
	2-1/2x1/2	41.0	41.0	57.0	8	3	24	31
	2-1/2x3/4	44.2	44.2	58.9	8	3	24	30
	2-1/2x1	47.5	47.5	60.2	8	3	24	34
	2-1/2x1-1/4	51.8	51.8	62.2	10	2	20	29
	2-1/2x1-1/2	54.9	54.9	63.8	5	3	15	23
	2-1/2x2	60.7	60.7	66.0	8	2	16	28
	3x1/2	43.0	43.0	65.7	6	3	18	28
	3x3/4	47.5	47.5	66.3	6	3	18	27
	3x1	50.8	50.8	67.6	5	3	15	25
	3x1-1/4	55.1	55.1	69.6	6	2	12	21
	3x1-1/2	58.2	58.2	71.1	6	2	12	21
	3x2	64.0	64.0	73.4	6	2	12	25
	3x2-1/2	71.9	71.9	76.0	6	2	12	29
	4x1/2	50.0	50.0	79.0			10	25
	4x3/4	57.0	57.0	80.5			10	27
	4x1	57.0	57.0	82.5			8	22
	4x1-1/4	60.5	60.5	86.5			8	24
	4x1-1/2	63.8	63.8	84.3			8	24
	4x2	69.6	69.6	86.6			8	28
	4x2-1/2	77.5	77.5	89.2			6	23
	4x3	83.8	83.8	91.4			6	24
	5x3	87.0	87.0	107.0			3	17
	6x2	78.2	78.2	115.8			2	15
	6x2-1/2	86.1	86.1	118.4			2	16
	6x3	92.5	92.5	120.7			2	16
	6x4	104.9	104.9	125.5			2	18
	3/4x1/2x1/2	30.5	28.5	31.0	30	6	180	35
	3/4x3/8x3/4	33.3	28.7	33.3	40	4	160	35
	3/4x1/2x3/4	33.3	31.0	33.3	40	4	160	35
	3/4x1/2x1	34.8	33.0	34.0	35	4	140	37
	1x1/2x1/2	32.0	28.5	35.5	20	6	120	28
	1x1/2x3/4	34.8	31.0	36.8	20	6	120	30
	1x1/2x1	38.1	35.5	38.1	15	6	90	21
	1x3/4x1/2	32.0	30.5	35.3	20	6	120	32
	1x3/4x3/4	34.8	33.3	36.8	25	4	100	31
	1x3/4x1	38.1	36.8	38.1	15	6	90	22
	1-1/4x1/2x1/2	34.0	32.0	34.4	25	4	100	33
	1-1/4x1/2x3/4	48.0	42.5	53.8	25	4	100	34
	1-1/4x1/2x1	40.1	34.5	42.4	20	4	80	33
	1-1/4x1/2x1-1/4	44.5	38.9	44.5	10	6	60	30
	1-1/4x3/4x1/2	33.8	29.3	38.3	25	4	100	32
	1-1/4x3/4x3/4	36.8	33.3	41.2	10	8	80	30
	1-1/4x3/4x1	40.1	36.8	42.4	10	8	80	32
	1-1/4x3/4x1-1/4	44.5	41.2	44.5	10	6	60	31
	1-1/4x1x1/2	34.0	32.0	38.9	18	4	72	28
	1-1/4x1x3/4	36.8	34.8	41.2	18	4	72	29
	1-1/4x1x1	40.1	38.1	42.4	18	4	72	34
	1-1/4x1x1-1/4	44.5	42.4	44.5	10	6	60	33
	1-1/2x1/2x1/2	35.0	27.4	42.3	20	4	80	31
	1-1/2x1/2x3/4	38.6	31.0	44.5	20	4	80	
	1-1/2x1/2x1	41.0	32.8	45.5	18	4	72	31
	1-1/2x1/2x1-1/4	49.3	42.2	47.8	15	4	60	
	1-1/2x1/2x1-1/2	49.3	42.2	49.3	12	4	48	33
	1-1/2x3/4x1/2	35.0	29.0	42.3	20	4	80	29
	1-1/2x3/4x3/4	37.9	31.9	43.3	18	4	72	31
	1-1/2x3/4x1	41.9	36.9	45.7	15	4	60	34
	1-1/2x3/4x1-1/4	38.0	29.5	43.5	15	4	60	35
	1-1/2x3/4x1-1/2	49.3	44.5	49.3	12	4	48	32
	1-1/2x1x1/2	35.0	32.3	42.3	18	4	72	30

