

## VELAN-06 modular LED lighting fixture



## Application

VELAN-06 industrial modular LED lighting fixtures are designed for general illumination of production facilities, warehouses, logistic centers, squares and streets. They also may be used as decorative lighting of buildings and architectural premises.

## Special features

- Innovative technology ac-hv allows to drop usage of usual driver. Number of electronic components is being reduced on 90% that increases fault withstandability by many times;
- 2,5-3 times lighter than existing analogues;
- Constructed by interchangeable lightweight modules with power of 20 W and 30 W
- Generality, ease in operation;
- Each module operates independently. There is no necessity to dismount the whole lighting fixture in case of failure of one module. This module is changed only that guarantees constant lighting of objects and territories;
- High-efficient optical system;
- Ingress Protection IP66;
- High strength stability and vibration resistance;
- Instant switching on even at a temperature  $-60^{\circ}\text{C}$ .

## Design

Lighting fixture consists of separate modules fixed on a common base. Modules are connected with terminal distribution box. Module consists of heater, baseplate with LEDs and protective rear projection element. Protective rear projection element (polycarbonate) is extra strong, has high rear projection property. The LED light source is dust and moisture protected by means of a silicon sealing, keeping its elasticity for a long period of time. Silicon is resistant to high and low temperature (up to  $-70^{\circ}\text{C}$ ).

Lighting fixture could be mounted on any plane surface, hanged on hooks and fixed on a pipe up to 60 mm in diameter.

## Light sources

Hyperluminous light-emitting diodes with light efficiency of 120 Lm/W.

VELAN

### Technical Specifications

Supply voltage:	200-240V AC, 220DC
Power of used modules	20 and 30 W
Standard modular lighting fixture power:	
- made of modules of 20 W:	20, 40, 80, 100, 120, 160, 200;
- made of modules of 30 W:	30, 60, 90, 120, 150, 180, 240, 300;
	(for more details see the section "Overall, mounting and installation dimensions of VELAN-06")
Luminescence temperature	4500-5700 K;
Color index Ra	>80
Luminescence efficiency	>84 lm/W;
Ingress Protection:	IP66
Ambient temperature	from -60°C to + 55°C
Power factor	>95
Efficiency factor	>90%
Feed cable diameter	6-10mm

### Scope of delivery

The lighting fixture is supplied complete with the LED light source and mounting type selected.

### Catalog Number Logic

#### VELAN-06-LED X1 - X2

**VELAN-06** - industrial LED modular lighting fixture

**LED** - type of used lamp: hyperluminous LEDs

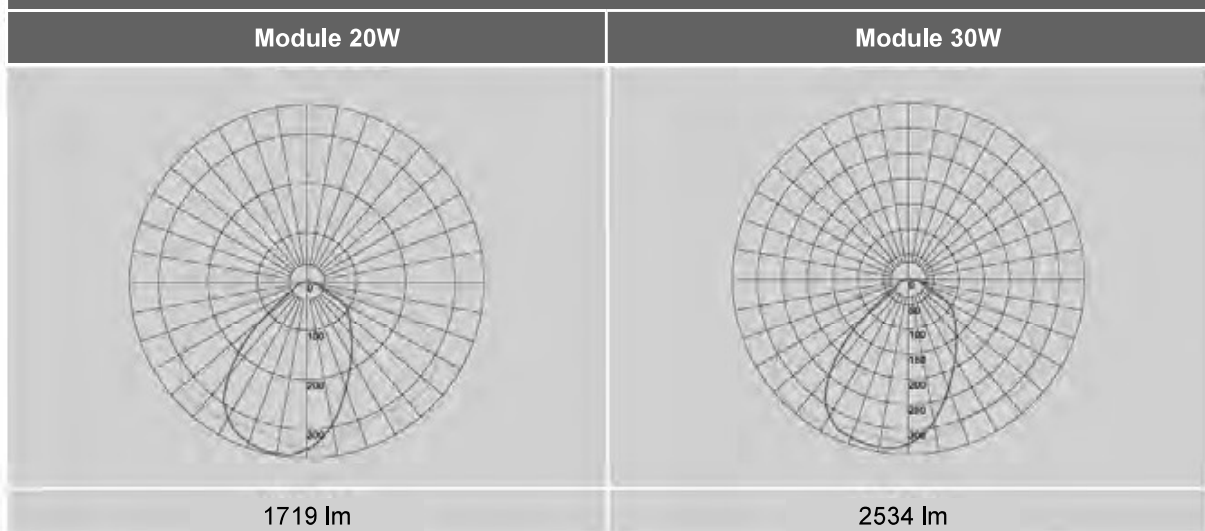
**X1** - total LEDs power of modules (W): 0, 30, 40, 60, 80, 100, 120, 140, 150, 160, 180, 200, 240, 300

**X2** - mounting type: S - clamp mounting; O - pole mounting (from 100 to 300 W); K - hook mounting

An example of designation for a lighting fixture with total LEDs power 100W, clamp mounting:

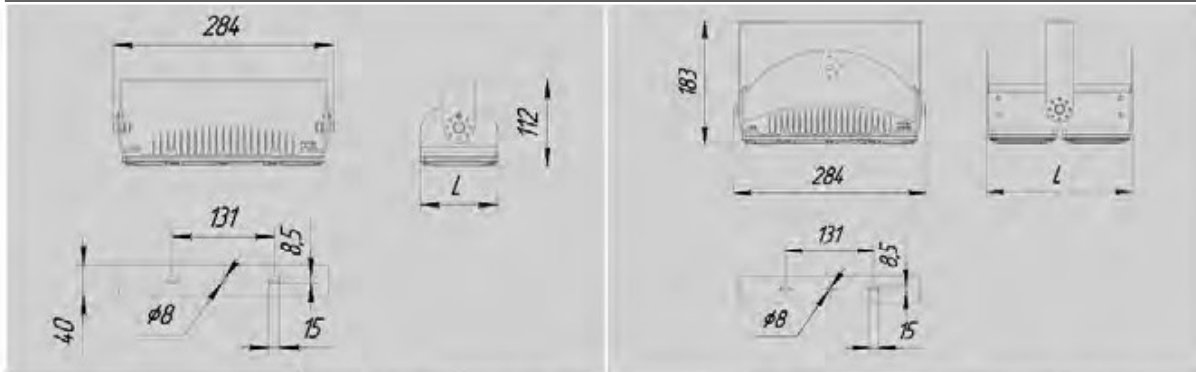
VELAN-06-LED100-S

### Microphotometer curve



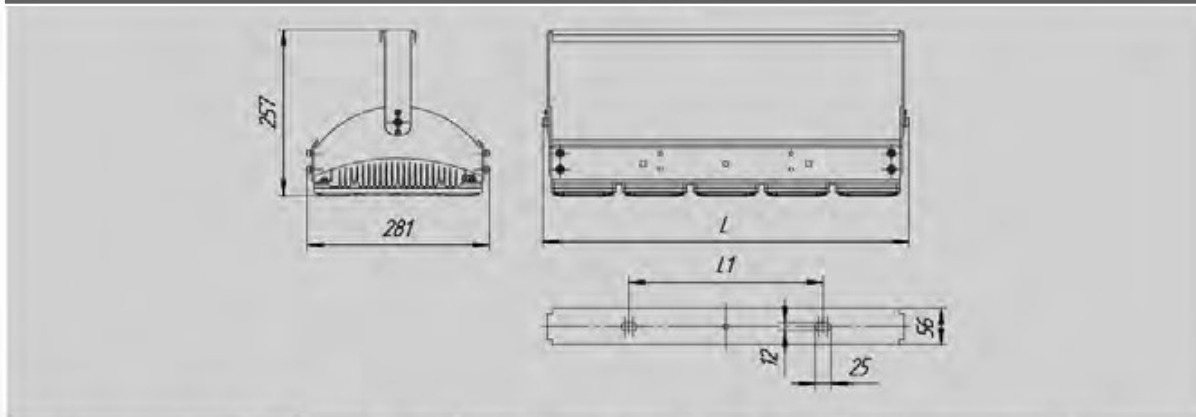
## Overall, mounting and installation dimensions of VELAN-06

### S: Clamp mounting



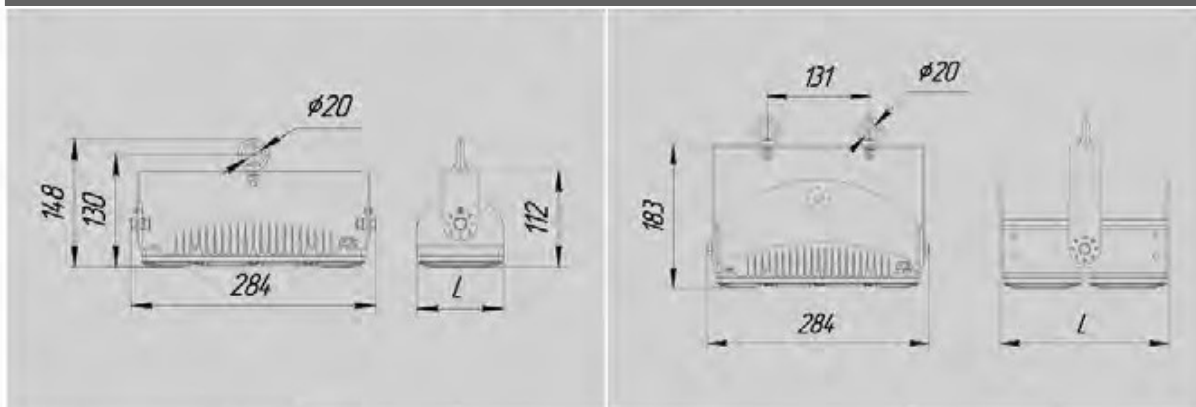
Power, W	20	30	40	60
Dimension L, mm	78	100	172	216

### S: Clamp mounting



Power, W	80	90	100	120	150
Dimension L, mm	280	346	456	456	566

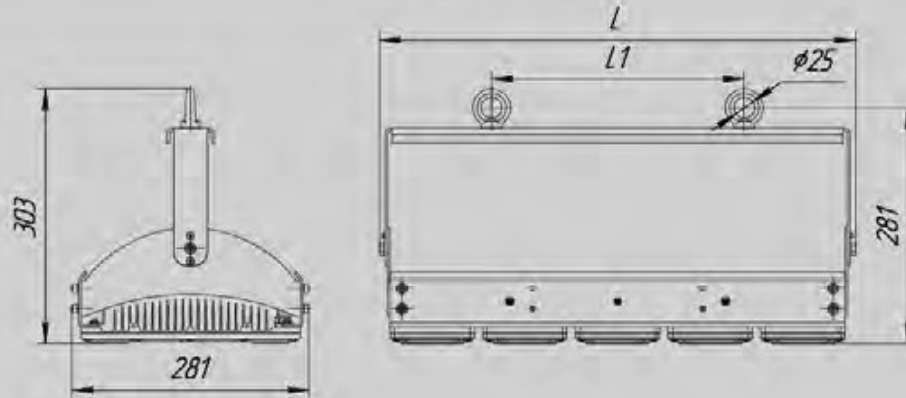
### K: hook mounting



Power, W	20	30	40	60
Dimension L, mm	78	100	172	216

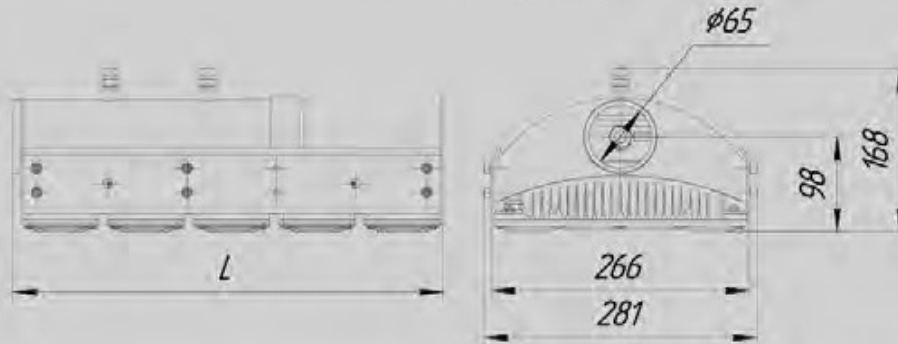


### K: hook mounting



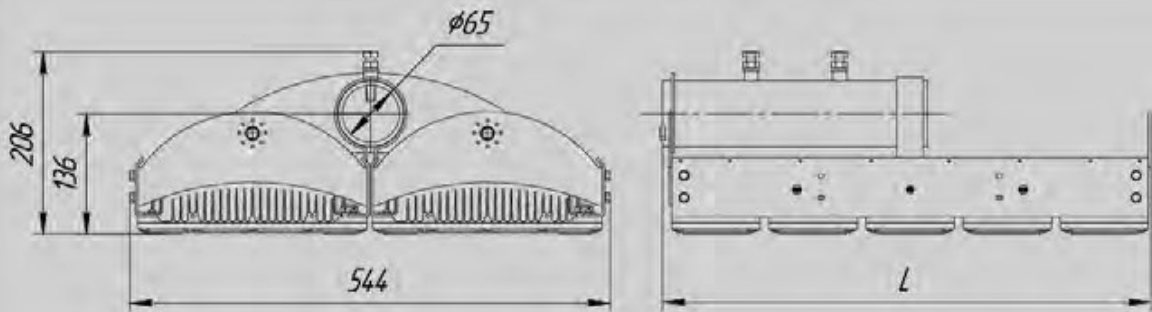
Power, W	80	90	100	120	150
Dimension L, mm	280	346	456	456	566
Dimension L1, mm	220	220	300	300	300

### O: pole mounting



Power, W	80	100	120	150
Dimension L, mm	355	443	443	553

### O: pole mounting



Power, W	160	200	240	300
Dimension L, mm	355	443	443	553

