

DOKSTAR™

LED Loading Dock Light

DOCK LIGHT



Dokstar™ Series LED loading dock lights require 97% less electricity, far less energy than traditional fixtures while accomplishing the same lighting task. Dokstar™ Series LED dock lights combine energy savings with maintenance free longevity and quality.

Low maintenance costs coupled with our advanced thermal management techniques ensure the Dokstar™ will perform over time where many competing offerings will not.

Dokstar™ Series LED Loading Dock Lights deliver high quality superior light over incandescent,

quartz or metal halide fixtures traditionally used in loading dock applications.

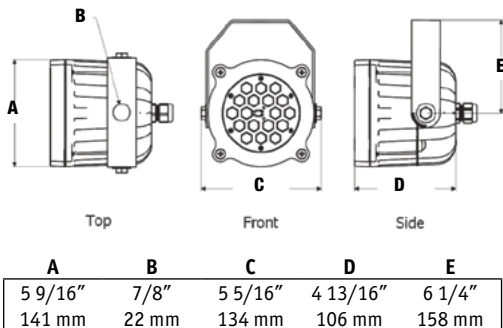
- Dokstar™ fixtures are perfect for industrial, manufacturing and warehousing
- Designed to illuminate tractor trailers up to 53' for loading and unloading
- Excellent for any application requiring long life and low maintenance costs
- 100,000 hrs LED life (L70)
- Listed to UL1598 for use in wet locations
- IP66

ORDERING INFORMATION

DOK		L	U	5K				PC	
SERIES		SOURCE		OPTICS		CORD		LENS	
DOK Dokstar™ LED Loading Dock Light		L LED		SP 12 Degree spot (standard) FL 32 Degree flood (special order)		C6¹ 6' cord C6715P¹ 6' cord with 15 amp NEMA twist loc plug C6515P¹ 6' cord with 15A straight blade plug C3C14P^{1,2} 3' cord with IEC plug		PC Polycarbonate lens	
			VOLTAGE						OPTION
			U 120 - 277V						DL40² 40" Double strut dock arm (Horizontal movement) DSDL40² 40" Double strut swing arm (Horizontal & Vertical Movement)
NUMBER OF LEDS		COLOR TEMPERATURE					SWITCH		
6 LED (6 Chip) 12 LED (12 Chip) 18 LED (18 Chip)		5K 5000K (All other color temperatures are special order)					IRS² In-line rocker switch		

- 1 All Dokstars™ require a cord option
- 2 If an arm (DL40 or DSDL40) is required the C3C13P cord & IRS in-line rocker switch are also required

DIMENSIONS



Dokstar™ with optional Dock Arm – DSDL40