

**VELAN 11 series explosion-proof lighting fixtures  
for incandescent, compact fluorescent and LED lamps, explosion protection  
marking 1ExdIICT6**



**Application**

Explosion-proof lighting fixtures for lamps not requiring a separate control gear are designed for general illumination of explosion hazard areas as per explosion protection marking.

**Special features**

- Extra strong high transparent dome lamp stands up to an impact 4J at the temperature - 60°C and is tolerable to the cold water jet entering the lighting fixture in operation without losing the strength characteristics.
- Corrosion-resistant materials with a special coating guarantee long life to the lighting fixture.
- Possible to complete the lighting fixture with the dome reflector (for VELAN11-200 and VELAN11-300).
- Three frame dimensions depending on the used lamps power.
- Nine types of mounting.
- Protective grid additionally prevents the dome lamp from destruction.

**Light sources**

- incandescent lamp LON (A)
- energy saving compact fluorescent lamp (CFL)
- light emitting diode lamp (LED)
- self ballast mercury lamp DRV (SBML)

Frame dimension	Incandescent lamp (A)	Energy saving compact fluorescent lamp (CFL)	Light emitting diode lamp (LED)	Self ballast mercury lamp (SBML)	Holder type
VELAN 11-100	up to 95 W	up to 23 W	up to 9 W	-	E27
VELAN 11-200	200 W	36 W	10 or 15 W	160	E27
VELAN 11-300	up to 300 W (E40)	45 or 65 W	15 W (E27)	250 (E27 or Philips E40)	E27/E40 (depending on the lamp type)



Lamp type	Lamp power up to, W	Explosion protection marking
<b>VELAN11-100 lighting fixture</b>		
incandescent lamp, A.	95	1ExdIICT5
compact fluorescent lamp, CFL	23	1ExdIICT6
light emitting diode lamp, LED	9	1ExdIICT6
<b>VELAN11-200 lighting fixture</b>		
incandescent lamp, A.	200	1ExdIICT4
self ballast high-pressure mercury lamp, SBML	125	1ExdIICT4
	160	1ExdIICT4
compact fluorescent lamp, CFL	45	1ExdIICT6
light emitting diode lamp, LED	10	1ExdIICT6
<b>VELAN11-300 lighting fixture</b>		
incandescent lamp, A.	300	1ExdIICT4
self ballast high-pressure mercury lamp, SBML	250	1ExdIICT4
compact fluorescent lamp, CFL	45	1ExdIICT6
	65	1ExdIICT6
light emitting diode lamp, LED	15	1ExdIICT6
<b>Technical Specifications</b>		
Explosion protection marking:	1ExdIICT6/T5/T4 depending on lamp type and power	
Ingress Protection:	IP65	
Supply voltage:	220V AC $\pm$ 10%, 50Hz	
Feed cable diameter:	9-14 mm	
Connected core section:	3x(1-2,5mm <sup>2</sup> )	
Ambient temperature	from - 60°C to + 50°C for incandescent, LED, self ballast mercury lamps. from - 40°C to + 55°C for energy saving compact fluorescent lamps	
<b>Design</b>		
<ul style="list-style-type: none"> <li>The lighting fixture consists of a powder-coated aluminum housing making a “d” type explosion-proof enclosure.</li> <li>Protective glass is heat-resistant, extra strong, with high light transmission. For additional glass protection a protective grid is used.</li> <li>Inside the housing there is a holder and terminals for supply connection.</li> <li>Inside and outside the lighting fixture there are earthing bolts.</li> </ul>		



### Scope of delivery

The lighting fixture is supplied complete with selected light source.  
Lamp post is not manufactured by the Plant.

**To be ordered additionally:**

- A) Incandescent lamp A, self ballast high-pressure mercury lamp, SBML (if necessary)  
B) For pendant mounting V, ceiling mounting P and wall mounting N cable glands are ordered:  
- VK-X-VEL2BM-M25x1,5-Exd for armored cable;  
- VK-X-VEL4-M25x1,5-Exd or VK-X-VEL2- M25x1,5-Exd for unarmored cable;  
- VK-X-VEL2BT-M25x1,5-Exd- G<sup>3/4</sup>" for armored cable in a pipe or for joining cable in metal hose using coupling MMRn -20;  
-VK-X-VEL2BT-M25x1,5-Exd-G<sup>3/4</sup>" for unarmored cable laying in a pipe or for connection of cable in metal hose with the MMRn-20 couplings;  
If customer does not specify cable entries, V, P, N mounting versions are equipped with threaded plugs M25x1,5.  
For clamp mounting S instead of cable gland supplied on default it is to be ordered as follows:  
- VK-X-VEL2BM-G<sup>3/4</sup>"-Exd for armored cable;  
- VK-X-VEL4-G<sup>3/4</sup>"-Exd or VK-X-VEL2-G<sup>3/4</sup>"-Exd for an unarmored cable;  
- VK-X-VEL2BT-G<sup>3/4</sup>"-Exd-G<sup>3/4</sup>" for armored cable in a pipe or for joining cable in metal hose using coupling MMRn -20;  
When ordering a lamp without mounting type, but with a cover be aware of the thread in the lighting fixture cover G<sup>3/4</sup>".  
For pole mounting (clamp supplied, support not supplied) additional cable entries are not required.

### Catalog Number Logic

**VELAN 11 - X1 X2 X3 (X4) - X5**

**VELAN 11** - explosion-proof lighting fixture

**X1** - type of used lamp:

- A** - incandescent lamp
- CFL** - energy saving compact fluorescent lamp
- LED** - light emitting diode lamp
- SBML** - self ballast mercury lamp DRV (for VELAN 11-200 and VELAN 11-300 only)

**X2** - power of the lighting fixture lamp (W)

**X3** – mounting version: **K** - hook mounting; **P** - ceiling mounting; **V** - pendant mounting; **N1** - pipe mounting;  
**T2** - pipe and box mounting; **S1** - clamp mounting; **S2** - clamp mounting with round box VAD-RSP;  
**N** - wall mounting 30°; **O** - pole mounting.

**X4** - supply voltage and current type (AC or DC) (indicated for LEDs)

**X5** - reflector: **KO** - dome ( for VELAN 11-200 and VELAN 11-300 only), in case of reflector absence, the index shall not be specified.

An example of designation for a lighting fixture with incandescent lamp, power 95W, ceiling mounting version:

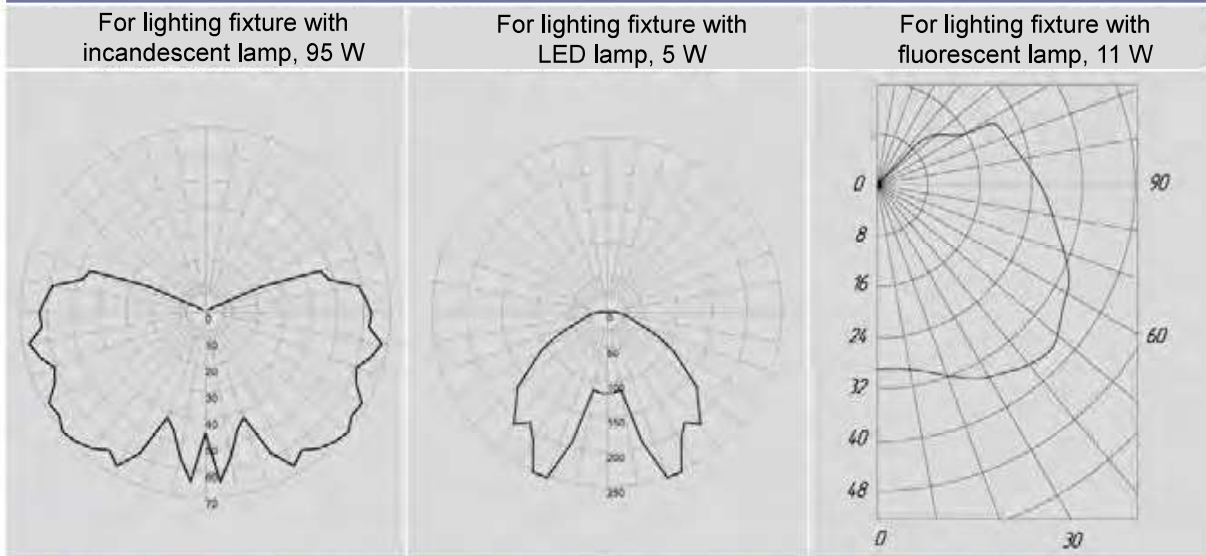
VELAN 11-A95P

An example of designation for a lighting fixture with LED lamp, power 15 W, clamp mounting version, 220V:  
VELAN 11-LED15S1(220AC)



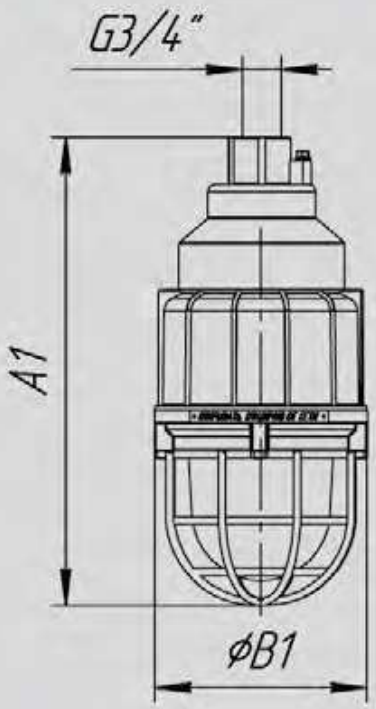
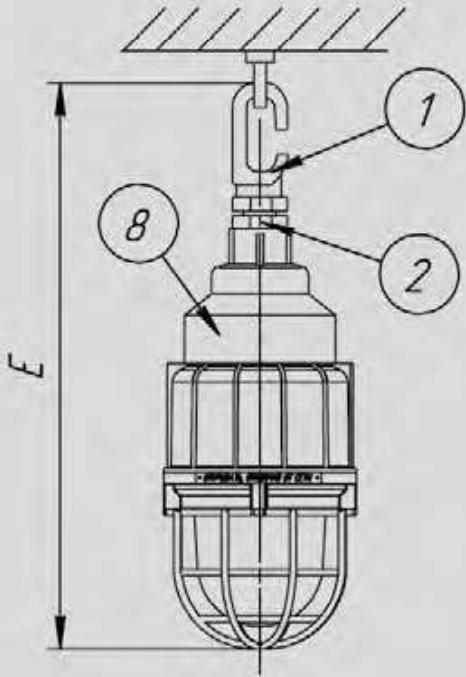
### Microphotometer curve

#### VELAN 11-100



### Overall, mounting and installation dimensions

#### of VELAN 11-100 lighting fixtures

Overall dimensions				K: hook mounting		
						
Type	A1	B1	Weight, kg	Type	E	Weight, kg
VELAN 11-100	322	145	4	VELAN 11-100	428	4,7

