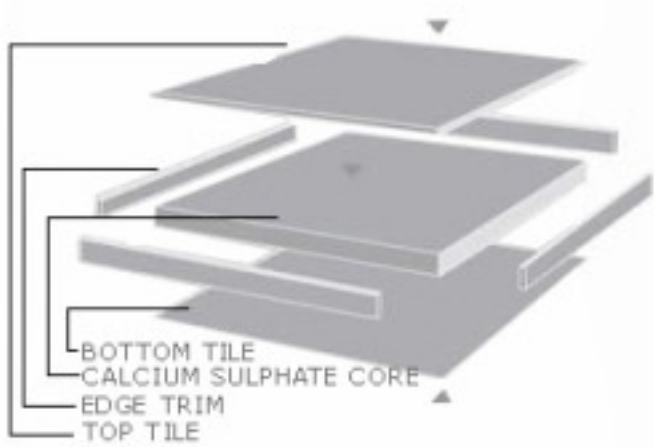


Calcium Sulphate Raised Access Floor system FS800~FS1500



Description

1. Environment friendly calcium sulphate board
2. Anti-static ,High dimensional precision, strong loading ability and shockproof,fireproof
3. Adjustable height for pedestal , assembly agility, large wire, good exchangeability.
4. Outlet mating . Elegant appearance for paving wildly brand top tiles.
5. Being stable performance in humidity & temperature



Structure

1. panel- 30mm thickness calcium sulphate board ,PVC/ABS covered four edges ,steel/aluminium on the bottom plate ,wildly brand top tiles could be carpet ,HPL PVC ,ceramic stone , or other tiles as you like
2. Accessories -die casting steel structure pedestal plastic gasket on top ,height could be 70mm ---1500mm , with or without square tube stringer steady connect the system

Application

Wide range of the application such as bank ,military, high grade computer room top grade office,and occasions which required high loading capacity

Type& Technology parameter

| Type | International | Size(mm) | Fire Performance | Concentrated load | | | Impact load (N) | Ultimated load (N) | Uniform Load (N/m ²) | Rolling load(N) | |
|---------|---------------|------------|------------------|-------------------|-------|------|-----------------|--------------------|----------------------------------|-----------------|--------------|
| | | | | LB | N | KG | | | | 10 times | 100000 times |
| XL-3001 | FS800 | 600x600x30 | A | ≥800 | ≥3350 | ≥363 | ≥536 | ≥11250 | ≥16100 | 3560 | 2670 |
| XL-3002 | FS1000 | 600x600x30 | A | ≥1000 | ≥4550 | ≥450 | ≥670 | ≥13350 | ≥23000 | 4450 | 3560 |
| XL-3003 | FS1250 | 600x600x30 | A | ≥1250 | ≥5560 | ≥567 | ≥780 | ≥16680 | ≥33000 | 5560 | 4450 |
| XL-3004 | FS1500 | 600x600x30 | A | ≥1500 | ≥6675 | ≥670 | ≥1005 | ≥19892 | ≥34500 | 6675 | 5340 |

Standard Pedestal SPEC:



| FFH(mm) | tube diameter(mm) | adjustment + (mm) | adjustment - (mm) |
|-----------|-------------------|---------------------|---------------------|
| ≤600 | φ25 | 25 | 25 |
| 700~900 | φ32 | 25 | 25 |
| 1000~1500 | φ42 | 25 | 25 |

Other height could be customized.

Standard Stringer SPEC: 535x21x30mm

Other Products



Ceramic(granite) calcium sulphate raised access floor



PVC coated calcium sulphate raised access floor



Calcium sulphate floor



HPL coated calcium sulphate raised access floor



Steel Encased Calcium sulphate Raised Access Floor